

# Radio-Read Filter

**SHARED ACCESS TO A MASTER METER BY TWO READING SYSTEMS**

**Allows Two Meter-Reading Devices To Concurrently Connect To A Water Meter...**

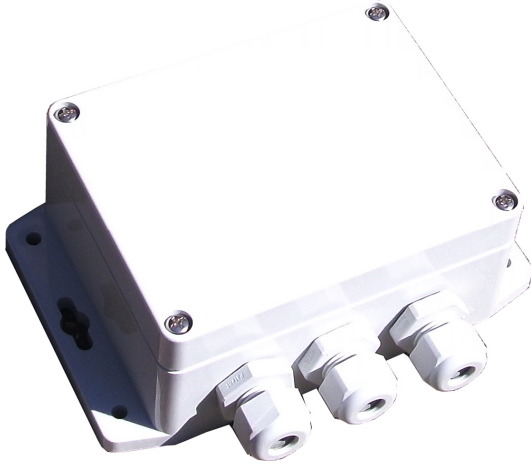
At many water metering points, it is desirable to connect the meter to both a meter display unit AND an AMR radio endpoint.

A popular meter display unit is the VisuLink VL9 by Kemp-Meek Manufacturing; and example AMR radio endpoints include the Neptune R900, Sensus MXU, Itron ERT, and many others.

Today, SCADAmetrics has made dual water meter-reading possible with the introduction of the RRF-W "Radio-Read Filter, Wall Mount Version".

The RRF-W is housed within a weatherproof NEMA-4X wall-mountable enclosure; and because it derives all necessary power from the connected meter readers, the RRF-W does not require batteries or an external power supply.

**RADIO-READ FILTER – WALL MOUNT VERSION**

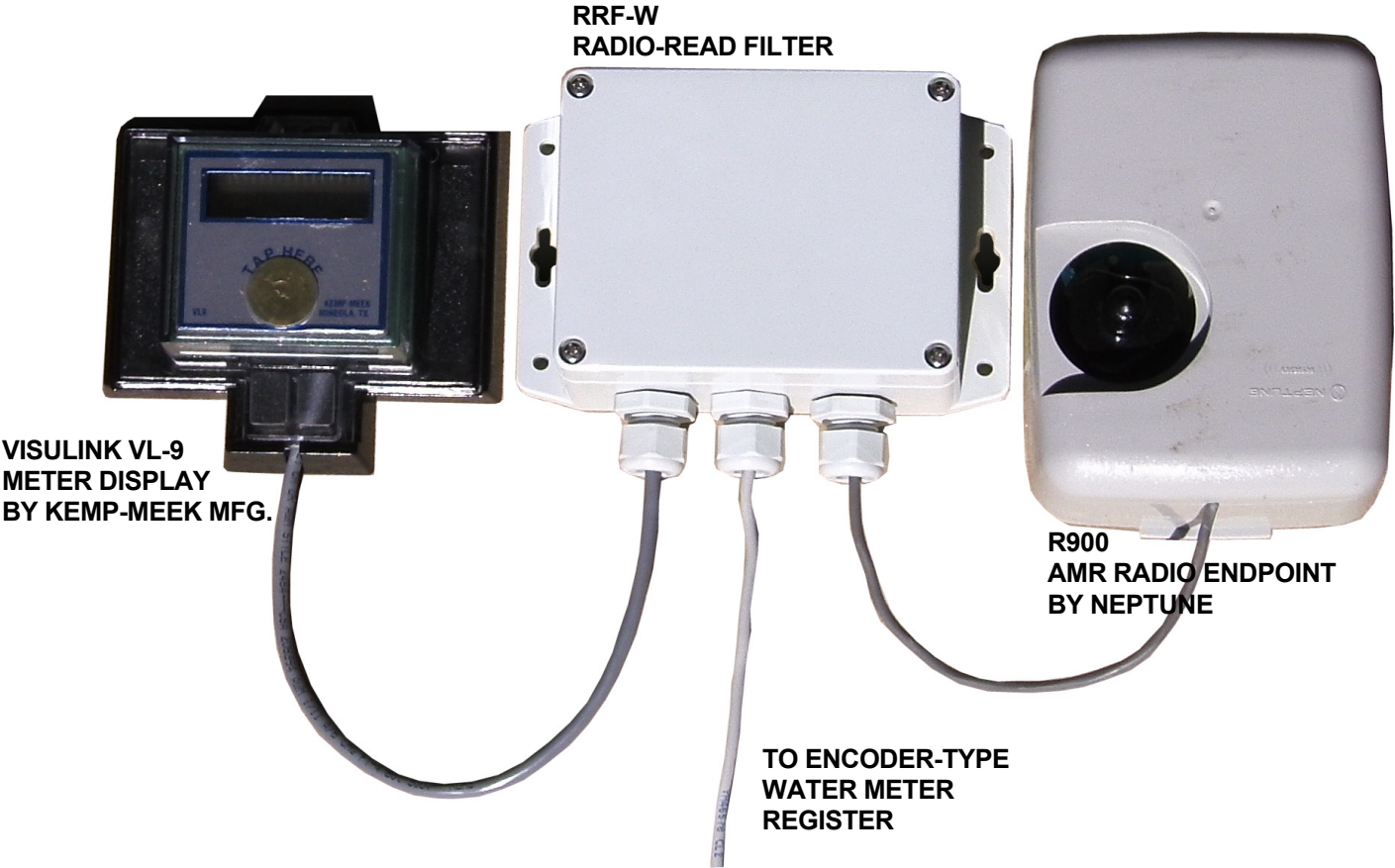


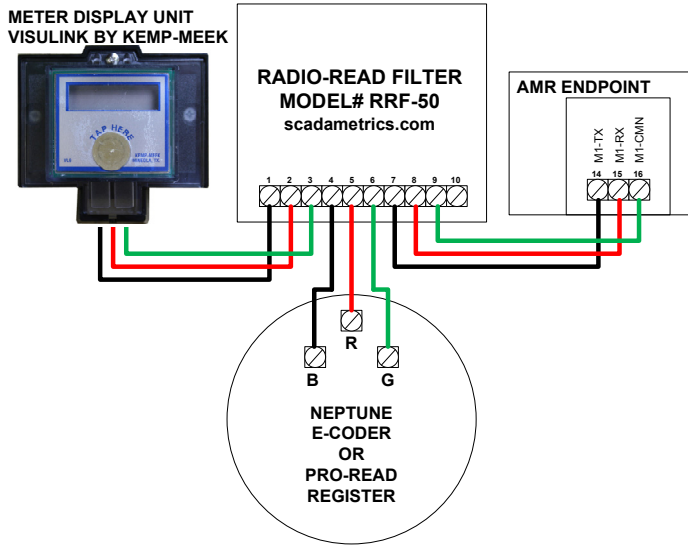
**2 YEAR WARRANTY**



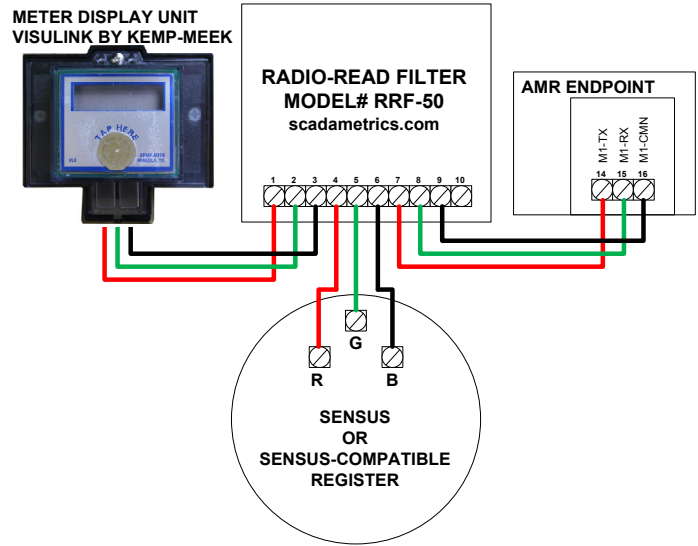
**AWWA C707-05 COMPLIANT**

**SAMPLE APPLICATION:**

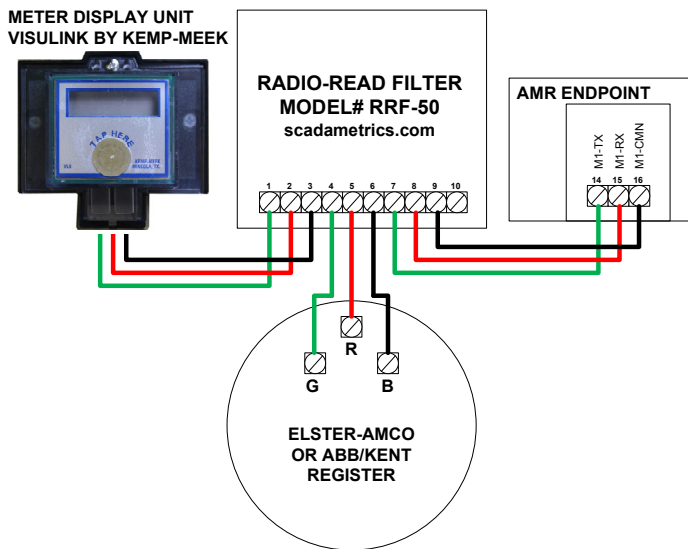




**HOOKUP FOR NEPTUNE REGISTERS**



**HOOKUP FOR SENSUS REGISTERS**



**HOOKUP FOR ELSTER-AMCO/ABB/KENT REGISTERS**

**SCADAmetrics**  
**scadametrics.com**  
**Saint Louis, Missouri USA**  
**(636)405-7101**

<sup>1</sup> See the Compatibility Matrix at [scadametrics.com](http://scadametrics.com) for full compatibility details (Same compatibility matrix as RRF-50).

<sup>2</sup> The RRF-W is rated for the following environmental conditions: Temperature: -30C to +85C. Relative Humidity: 5% to 95%, Non-Condensing. The RRF-W is not pit-compatible unless potted by user.



36 Hudson Rd  
 Sudbury MA 01776



800-225-4616  
[www.tisales.com](http://www.tisales.com)