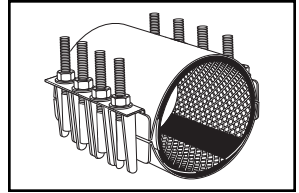
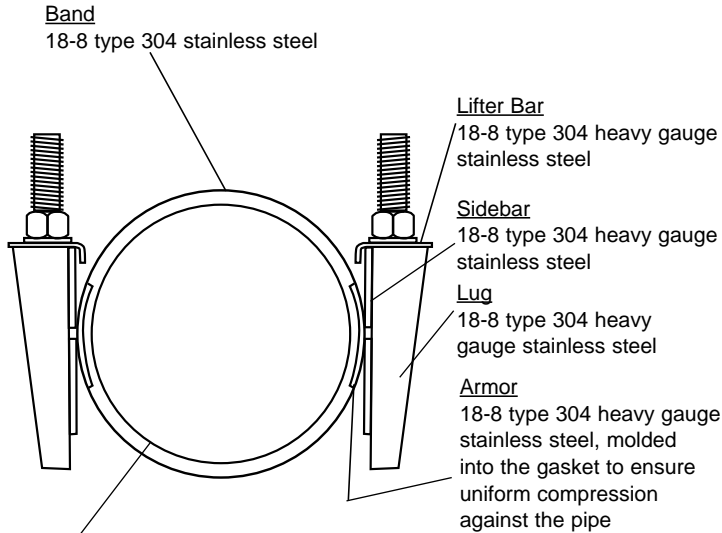


SUBMITTAL INFORMATION

Repair Clamps - (FS2-xxxx style)

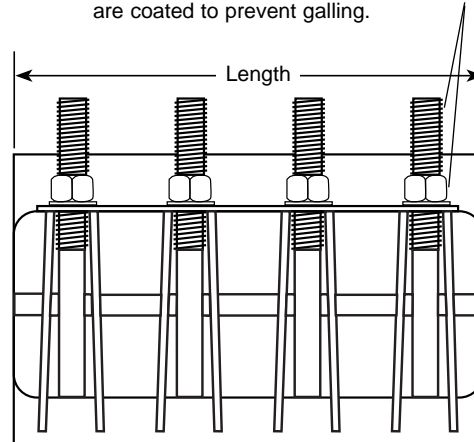


10" TO 16" TWO SECTION ALL STAINLESS STEEL CIRCLE REPAIR CLAMPS



Bolts & Nuts

18-8 type 304 stainless steel nuts and washers. Nuts are coated to prevent galling.



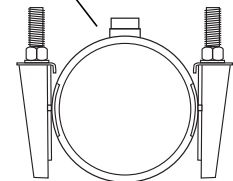
Optional Stainless Taps

18-8 type 304 stainless steel tap tig welded to band. Available with AWWA, or I.P. threads.

Gasket
SBR per ASTM D2000 4AA610,
Optional Buna-N, Nitrile

OUTLET THREAD TAP CODE

CC (AWWA) Thread		IP Thread	
THREAD	CODE NUMBER	THREAD	CODE NUMBER
3/4" CC	-CC3	3/4" IP	-IP3
1" CC	-CC4	1" IP	-IP4
1-1/4" CC	-CC5	1-1/4" IP	-IP5
1-1/2" CC	-CC6	1-1/2" IP	-IP6
2" CC	-CC7	2" IP	-IP7



NOM. PIPE SIZE	PIPE O.D. RANGE	LENGTH AND APPROXIMATE WEIGHT (LBS.)						BOLT SIZE	BAND THICKNESS	CATALOG NUMBER FS2-XXXX-LENGTH	✓ SUBMITTED ITEM(S)
		10"	12.5"	15"	20"	24"	30"				
10"	10.70 - 11.50	18	23	32	41	50	54	5/8" UNC	20 GA.	FS2-1150-	
	11.04 - 11.84									FS2-1184-	
	11.60 - 12.40									FS2-1240-	
12"	12.70 - 13.50	19	25	34	44	54	57			FS2-1350-	
	13.14 - 13.94									FS2-1394-	
	13.65 - 14.45									FS2-1445-	
14"	15.07 - 15.82	20	27	36	47	58	63			FS2-1582-	
	15.58 - 16.38									FS2-1638-	
	15.87 - 16.67									FS2-1667-	
16"	15.61 - 17.31	22	29	38	50	62	66			FS2-1731-	
	17.15 - 17.90									FS2-1790-	
	17.20 - 18.00									FS2-1800-	
	18.41 - 19.21									FS2-1921-	
	Number of Bolts							6	8	8	12

FEATURES

- Gasket is SBR per ASTM D2000. Buna-N gasket is available; add "-N" to end of catalog number
- Conductivity Strips are available; add "-CS" to end of catalog number
- Optional stainless steel outlet taps are available for repair of service line pull-outs. Add tap code to end of catalog number. Example: FS2-1350-125-IP4
- All welds are fully passivated to restore corrosion resistant characteristics of stainless steel
- UL Classified to ANSI/NSF Standard 61

The Ford Meter Box Company considers the information in this submittal form to be correct at the time of publication. Item and option availability, including specifications, are subject to change without notice. Please verify that your product information is current.



The Ford Meter Box Company, Inc.

P.O. Box 443, Wabash, Indiana U.S.A. 46992-0443

Phone: 260-563-3171 / Fax: 800-826-3487

Overseas Fax: 260-563-0167

http://www.fordmeterbox.com

03/18/13



36 Hudson Rd
Sudbury MA 01776



800-225-4616
www.tisales.com