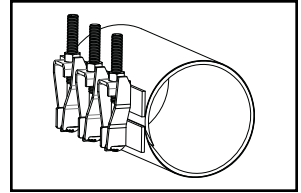
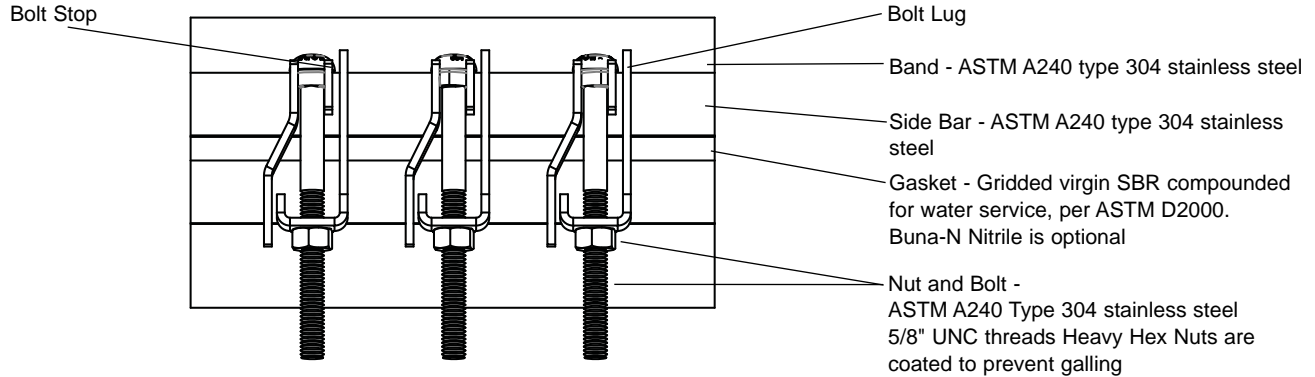


SUBMITTAL INFORMATION

Drop-In Bolt Repair Clamp - (FLS1-xxxx-xxx style)



STAINLESS STEEL DROP-IN BOLT REPAIR CLAMP



OUTLET THREAD TAP CODE

CC (AWWA) Thread		IP Thread	
THREAD	CODE NUMBER	THREAD	CODE NUMBER
3/4" CC	-CC3	3/4" IP	-IP3
1" CC	-CC4	1" IP	-IP4
1-1/4" CC	-CC5	1-1/4" IP	-IP5
1-1/2" CC	-CC6	1-1/2" IP	-IP6
**2" CC	-CC7	**2" IP	-IP7

NOM. PIPE SIZE	PIPE O.D. RANGE	LENGTH AND APPROXIMATE WEIGHT (LBS.)					BOLT SIZE	BAND THICKNESS	CATALOG NUMBER	✓ SUBMITTED ITEM(S)
		7.5"	10"	12.5"	15"	20"				
6"	5.95 - 6.35	7	10	11	15	21	5/8" X 8"	20 GA.	FLS1-635-	
	6.56 - 6.96								FLS1-696-	
	6.84 - 7.24								FLS1-724-	
	7.05 - 7.45								FLS1-745-	
	7.45 - 7.85								FLS1-785-	
8"	7.95 - 8.35	9	11	12	18	22			FLS1-835-	
	8.54 - 8.94								FLS1-894-	
	8.99 - 9.39								FLS1-939-	
	9.27 - 9.67								FLS1-967-	
Number of Bolts		2	3	3	4	5				

FEATURES

- All stainless steel construction with removable bolts
- Buna-N Gasket and Conductivity Strips are available
- Also available in Two and Three section clamps for a wider range of pipe sizes and tolerances
- Optional outlet taps are available for repair of service line pull-outs. Add tapping code to the Catalog Number
- All welds are fully passivated to restore the corrosion resistant characteristics of the stainless steel

The Ford Meter Box Company considers the information in this submittal form to be correct at the time of publication. Item and option availability, including specifications, are subject to change without notice. Please verify that your product information is current.



The Ford Meter Box Company, Inc.

P.O. Box 443, Wabash, Indiana U.S.A. 46992-0443

Phone: 260-563-3171 / Fax: 800-826-3487

Overseas Fax: 260-563-0167

<http://www.fordmeterbox.com>

03/26/13



36 Hudson Rd
Sudbury MA 01776



800-225-4616
www.tisales.com