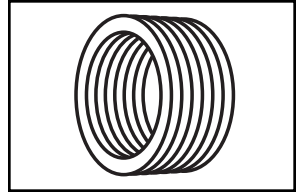
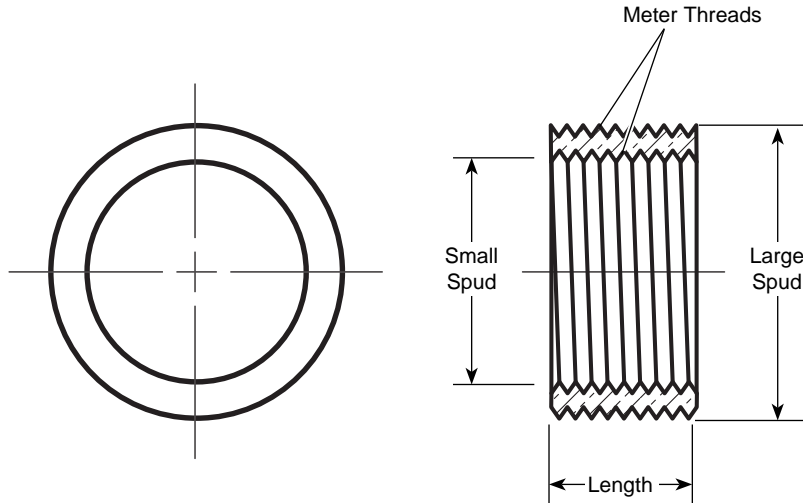


SUBMITTAL INFORMATION

Meter Adapter - (Axx Bushing Style)



ADAPTER RINGS TO BUSH METER SPUDS (NO CHANGE IN METER LENGTH)



DESCRIPTION		LENGTH	APPROX. WT. LBS.	PART NUMBER	✓ SUBMITTED ITEM(S)
SMALL SPUD SIZE	LARGE SPUD SIZE				
5/8"	5/8"x3/4"	3/8"	.2	A12S	
5/8"	5/8"x3/4"	9/16"	.2	A12M	
5/8"	5/8"x3/4"	11/16"	.3	A12L	
3/4"	1"	9/16"	.5	A34S	
1"	1-1/4"	5/8"	.4	A45	

FEATURES

- All brass conforms to AWWA Standard C800 (ASTM B-62 and ASTM B-584, UNS NO C83600 - 85-5-5-5)
- Approved to ANSI/NSF Standard 61-2007a
- Meter Adapter Rings are furnished in pairs
- Conforms to AWWA C700 for meter threads

The Ford Meter Box Company considers the information in this submittal form to be correct at the time of publication. Item and option availability, including specifications, are subject to change without notice. Please verify that your product information is current.



The Ford Meter Box Company, Inc.

P.O. Box 443, Wabash, Indiana U.S.A. 46992-0443

Phone: 260-563-3171 / Fax: 800-826-3487

Overseas Fax: 260-563-0167

<http://www.fordmeterbox.com>

02/07/14



36 Hudson Rd
Sudbury MA 01776



800-225-4616
www.tisales.com