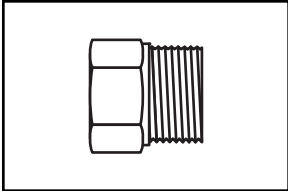
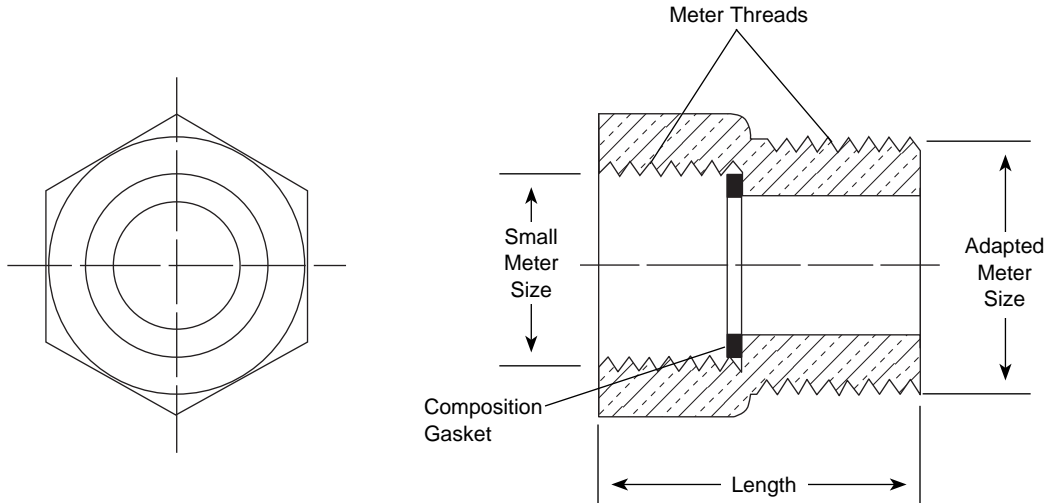


SUBMITTAL INFORMATION

Meter Adapter - (Axx-NL Compact Body Style)



ADAPTERS TO CHANGE METER SPUD SIZE AND LENGTH (5/8" THROUGH 1")



DESCRIPTION		LENGTH	APPROX. WT. LBS.	PART NUMBER	✓ SUBMITTED ITEM(S)
SMALL METER SIZE	ADAPTED METER SIZE				
5/8"	3/4"	1-3/16"	.6	A13-NL	
3/4"	1"	1-5/16"	.8	A34-NL	



FEATURES

- All brass that comes in contact with potable water conforms to AWWA Standard C800 (UNS NO C89833)
- Brass components that do not come in contact with potable water conform to AWWA Standard C800 (ASTM B-62 and ASTM B-584, UNS NO C83600 - 85-5-5-5)
- Meter Adapters are furnished in pairs. The catalog number represents two adapters
- Body design provides wrench flats to facilitate installation
- Conforms to AWWA C700 for Meter Threads
- UL Classified to ANSI/NSF Standard 61 and Annex G

The Ford Meter Box Company considers the information in this submittal form to be correct at the time of publication. Item and option availability, including specifications, are subject to change without notice. Please verify that your product information is current.



The Ford Meter Box Company, Inc.

P.O. Box 443, Wabash, Indiana U.S.A. 46992-0443

Phone: 260-563-3171 / Fax: 800-826-3487

Overseas Fax: 260-563-0167

<http://www.fordmeterbox.com>

10/28/10



36 Hudson Rd
Sudbury MA 01776



800-225-4616
www.tisales.com