

# AMERICAN AVK HIGH PRESSURE, 250 PSI, MODERN, DRY BARREL HYDRANT

2700  
MODERN

Meets or exceeds AWWA C502 (latest) - Working Pressure - 250 PSI

Inlet Bases: Flanged in accordance with ANSI B16.1 Class 125,

Mechanical and Push-On Joint in accordance with ANSI/AWWA C111/A21.11

**Use:**

For water and neutral liquids to maximum 160°F.

**Tests:**

Hydraulic test to AWWA C502:

Seat Test: 500 PSI

**Approvals:**  
UL/ULC Listed,  
FM Approved



**Components:**

Nozzle Section, Bonnet, Barrels, Standpipe Flanges,  
Breakable Flange, Main Valve Flange, Base, Monitor Elbow

Caps, Weathershield

Nozzles, Valve Seat Ring, Drain Ring  
Operating Nut, Thrust Nut

Brass Fittings, Brass Plugs

Main Valve

Stem Rod Couplings, Lock Rings, Nozzle Retaining  
Screw, Lock Plate, Lock Plate Screw, Spider Bolt, Stop Pins,  
Coupler Pins, Main Valve Retaining Pin, Spring Pins,

Coating

Stop Nut, Chain Set, Hardware

Barrel Gasket, Cap Gasket, O-rings

Lubrication Hole Seal

Anti-Friction Washer

Base Elbow / Inlet Configuration

6" MJ

4" MJ

8" MJ\*

6" Flanged

4" Flanged

Straight Flanged 6"

6" Push-on

4" PE\*

6" PE\*

\*Not UL/ULC Listed or FM Approved

**Standard:**

Ductile Iron ASTM A536

Cast Iron ASTM A126 Class "B"

Bronze

Brass

Ductile iron core, fully encapsulated with EPDM rubber.

Stainless Steel

Above ground-Fusion bonded epoxy inside and out. Below  
ground - Bitumen/Fusion bonded epoxy. Epoxy meets or  
exceeds AWWA C550 (latest)

Zinc Plated Steel

NBR - ( Barrel Gasket with 304 stainless insert )

Oil Resistant Rubber

Polyamide

**Optional Materials:**

Hardware

Upper Stem Rod

Lower Stem Rod

Zinc Plated

304 Stainless

304 Stainless

304 Stainless

Epoxy Coated Steel

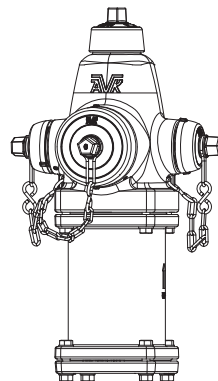
Epoxy Coated Steel

316 Stainless

Opening Direction

Open Left

Open Right



Series 2700  
1 Pumper, 2 Hose Outlet



American AVK Company  
an ISO 9001-2000 registered company

DS S2700 MODERN  
Subject to change without notice. (rev. 12/07)

# AMERICAN AVK HIGH PRESSURE, 250 PSI, MODERN, DRY BARREL HYDRANT

2700

Meets or exceeds AWWA C502 (latest) - Working Pressure - 250 PSI

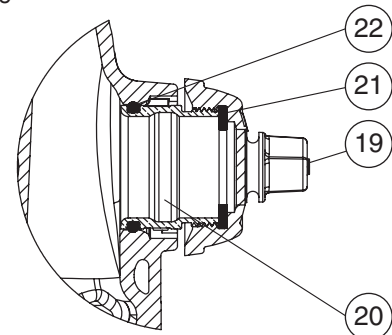
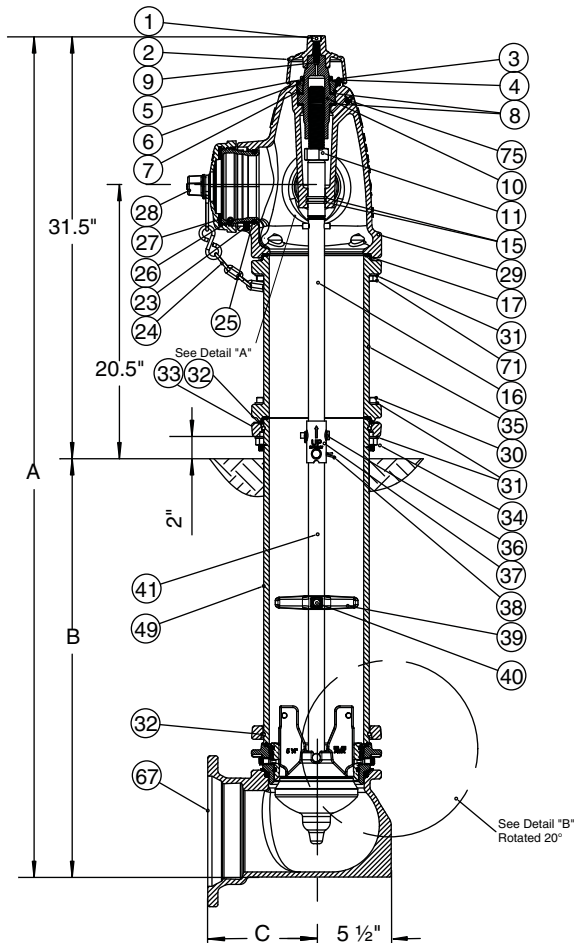
MODERN

Inlet Bases: Flanged in accordance with ANSI B16.1 Class 125,

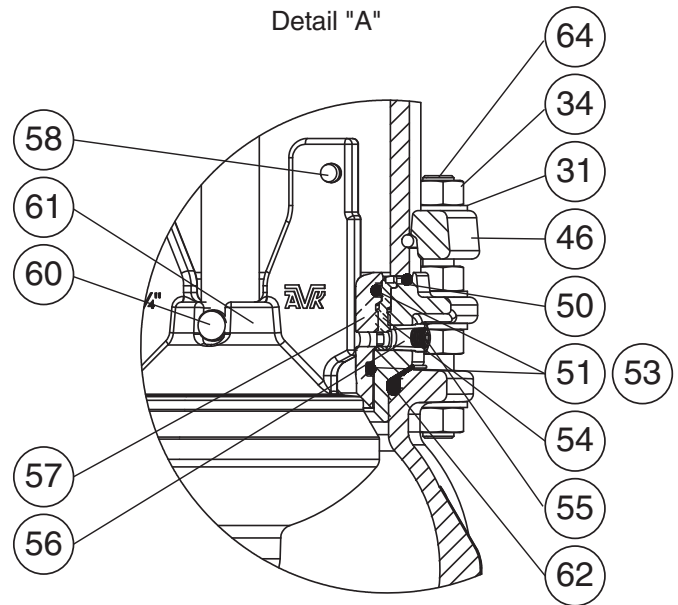
Mechanical and Push-On Joint in accordance with ANSI/AWWA C111/A21.11

## Component List:

- |                               |                                      |                                  |                               |
|-------------------------------|--------------------------------------|----------------------------------|-------------------------------|
| 1. Weathershield Bolt         | 21. Hose Nozzle Cap Gasket -Detail A | 37. Breakable Stem Rod           | 58. Stop Pin -Detail B        |
| 2. Weathershield              | 22. Hose Nozzle O-ring - Detail A    | Coupling                         | 60. Main Valve Retaining Pin  |
| 3. Lock Plate Screw           | 23. Nozzle Retaining Screw           | 38. Spring Pin                   | -Detail B                     |
| 4. Lock Plate                 | 24. Chain Set                        | 39. Spider                       | 61. Main Valve Disc -Detail B |
| 5. Inner Thrust Nut O-ring    | 25. Pumper Nozzle O-ring             | 40. Spider Bolt                  | 62. Base Gasket -Detail B     |
| 6. Thrust Nut                 | 26. Pumper Nozzle                    | 41. Lower Stem Rod               | 64. Stud Bolt -Detail B       |
| 7. Outer Thrust Nut O-ring    | 27. Pumper Nozzle Gasket             | 46. Standpipe Flange -Detail B   | 67. Base                      |
| 8. Anti-Friction Washer       | 28. Pumper Nozzle Cap                | 49. Lower Barrel                 | 71. Modern Nozzle Section     |
| 9. Lubrication Hole Seal      | 29. Nozzle Section                   | 50. Lower Barrel O-ring Detail B | Bolt                          |
| 10. Operating Nut             | 30. Nozzle Section Bolt              | 51. Valve Seat O-ring -Detail B  | 75. Zerk Fitting              |
| 11. Stop Nut                  | 31. Nozzle Section Washer            | 53. Valve Seat O-ring -Detail B  |                               |
| 15. Stem Seal O-rings         | 32. Lock Ring                        | 54. Drain Ring -Detail B         |                               |
| 16. Upper Stem Rod            | 33. Breakable Flange                 | 55. Brass Plug -Detail B         |                               |
| 17. Barrel Gasket             | 34. Nozzle Section Nut               | 56. Brass Fitting -Detail B      |                               |
| 19. Hose Nozzle Cap -Detail A | 35. Upper Barrel                     | 57. Main Valve Flange            |                               |
| 20. Hose Nozzle -Detail A     | 36. Coupler Pin                      | -Detail B                        |                               |



Detail "A"



Detail "B"

Ref No.	Outlets	A	B*	C			
				Flanged	MJ	Push-on	PE
27-00 - 4"	2x2½", 1x4"/4½"	49.50" - 242.50"	18" - 216"	8.00"	8.00"	N/A	23.70"
27-00 - 6"	2x2½", 1x4"/4½"	49.50" - 242.50"	18" - 216"	8.00"	8.00"	9.00"	22.80"
27-00 - 8"	2x2½", 1x4"/4½"	49.50" - 242.50"	18" - 216"	N/A	9.38"	N/A	N/A



36 Hudson Rd  
Sudbury MA 01776

800-225-4616  
www.tisales.com