



OEM Manual

**MODEL 2305™
ECO-SCALE**

These instructions generally describe the installation, operation, and maintenance of subject equipment. The manufacturer reserves the right to make engineering refinements that have not been described herein. Should any questions arise that may not be answered specifically by these instructions, they should be directed to **Scaleton Industries Ltd., Or Our Sales Agent** for a response.

All possible precautions were taken in packaging each piece of equipment to prevent shipping damage. Carefully inspect each item and report damages immediately. Report all damage claims to the shipping agent involved for equipment shipped F.O.B. job site. Do not install any damaged equipment.

All instructions given on any labels, or attached tags, should be followed. Carefully inspect all packing material before discarding to prevent the loss of accessories, mounting hardware, spare parts, or instructions.

| TABLE OF CONTENTS | PAGE |
|-----------------------------------------------------|-------------|
| I. GENERAL DESCRIPTION..... | 1 |
| II. SPECIFICATIONS..... | 1 |
| III. ASSEMBLY AND START-UP..... | 2 |
| IV. GENERAL USE INSTRUCTIONS..... | 3 |
| V. CALIBRATION PROCEEDURE..... | 3 |
| VI. TROUBLESHOOTING..... | 4 |
| VII. BOARD DIAGRAM & 4-20mA CONNECTION DIAGRAM..... | 5 - 6 |

I. General Description:

The Model 2305™ Eco-Scale is designed for weighing cylinders 11.75 inches in diameter and smaller, with a maximum net weight of 199.9 lb. and a maximum tare weight of 150 lb. The low profile design of the platform (< 1 ½ inches) allows for safe and easy loading and unloading of cylinders. The printed circuit board contains a power supply section and a separate tare and span control. The weigh meter electronics are housed in a NEMA 4X enclosure for mounting on wall.

Standard Parts

| | |
|---------------------------|--------------------|
| 1 Base assembly | 1 Technical Manual |
| 1 Weigh Meter (indicator) | 1 Power Cord |
| 1 Parts Kit | 1 Tool Rack |

Available Options

- A. Remote mounting of standard enclosure
- B. Load Cell Cable
- C. Low Level relay contact

II. Specifications:

Display: LCD, 3 ½ Digit with minus sign liquid crystal display, 0.5 inch high, seven segment

Resolution: Single cylinder 199.9 lb x 0.1 lb, or 90.7 kg. x 0.1 kg.

Load Cell Excitation: 12 VDC Power, 1 Load cell

Zero Adjustment: Internal potentiometer, External tare knob

Overload: Blanks with “1” displayed at the far left of the display

Accuracy: +/- 0.5% full capacity

Power: 85-265VAC ~ 50/60 Hz, single phase, 0.3 Amps Dedicated – Isolated Power With Earth Grounding

Dimensions: Standard unit OD: 12.625 inches W x 14.75 inches D x 2.75 in at highest point

III. Assembly and Start-Up:

The Model 2305™ Eco-Scale is shipped partially disassembled. Assembly instructions are as follows:

The load cell is secured to base. All wire connections in the base have been made and sealed at the factory. The digital weigh meter is assembled and calibrated to the base at the factory. The customer must mount the indicator, tool rack, and chain on the wall. The base must be leveled for accurate readings by placing shims under the base. The wires must be run through the strain relief, connected to the connector, and plugged into indicator before scale is operated. Steps are as follows:

Step 1: Remove all parts from box and inspect for damage – bent metal, broken wires, cracks in indicator, etc. Any shipping damage must be reported **to carrier!**

Step 2: Place the scale on a solid, dry, and even surface. Clear the area of all debris where the scale base will be anchored.

Step 3: Secure the tool rack to the wall using anchors; make sure they are strong enough to safely restrain the cylinder. Fasten the chain to outer-most holes with two “S” hooks in the holes provided. The tool rack should be at the proper height to restrain the size cylinder being used.

Step 4: Open the weigh meter (indicator) and install one black liquid tight fitting in the center hole. Feed the wire up through the fitting and snug the fitting on the wire. Fasten the indicator to the wall. Connect the wires into the connector using the following code:

TB1 : Ret: Common, 4-20mA Return*

Out: + 4-20mA Output*

G: Green = + Signal

W: White = - Signal

Bk: Black = - Supply Voltage

R: Red = + Supply Voltage

*Connect your wires here if you are using 4-20mA output. Refer to the wiring diagram on page 5 and 6 for 4-20mA connections. Jumper J-4 will need jumper in the top two pins for loop powered, and the bottom two pins for scale powered (with board oriented as in drawing pg 5.)

Insert the wire, being sure not to crimp the insulation in the connector. Using a small screwdriver, push the orange lever down to insert the wire into the proper hole and release the lever to allow the wire to clamp into the connector. The connector holes are labeled according to the color that is inserted there.

Step 5: Allow approximately 15 minutes warm up time before using the scale.

IV. General Use Instructions:

©2010 Scaleton Industries Ltd., Plumsteadville, PA Scaleton, Scaleton Sets the Standard In Corrosion Resistance, Model 1020-1, 1020-2, Model 1099, Model 2305, Model 2306, Model 2307, Model 2308, Model 2310, Model 2330, Model 2350, Model 2352, Model 2353, Model 3001, Model 3002, Model 3003, Model 3004, Model 3005, Model 3006, Model 3050-1, Model 3050-2, Model 4000SS, Model 4010, Model 4020, Model 4021, Model 4030, Model 4040, Model 4040IBC, Model 4041, Model 4042, Model 4042WB, are trademarks of Scaleton Industries Ltd. Total Electronic System is a service mark of Scaleton Industries Ltd.
PRINTED IN THE U.S.A. NOV 2010.

Please refer to these instructions for daily use of this scale. These instructions simulate the procedure for every day usage.

To load a new, full cylinder, please follow these steps:

1. If you know what the **Tare Weight** of your cylinder (the weight of an empty cylinder) you may turn your black tare knob (located on the front of the indicator door) counterclockwise, until the tare weight is shown on the LCD indicator as a negative number. *(Ex: Your cylinder is stamped with a tare weight of 100 lbs. You turn your tare knob counterclockwise until it reads “-100”. Then you load the cylinder on to the base, being sure that it is against the backstop.)* Do not load the cylinder on before you have reached the tare weight. Apply the safety chain to the cylinder making sure that it is not too tight as to interfere with the weight of the cylinder.

-OR-

2. If you do not know the tare weight of the cylinder, or if you DO know the **Net Weight**, (the weight of the contents of the cylinder) you may use this alternate procedure. Load the full cylinder on to the scale, up against the backstop. When cylinder is loaded, and safety chain is attached, turn the tare knob, located on the door of the indicator, counterclockwise, until the known weight of the contents is displayed on the LCD. *(Ex: You have a cylinder that holds 150 lbs. of contents. Load the cylinder on the scale, apply safety chains, and turn the black tare knob located on the front of the indicator door until the weight of the contents, 150 lb., is displayed on the LCD display. You are ready to start using the contents.)*

When cylinder is empty, remove chain, remove old cylinder, and load new one using the instructions above.

V. Calibration Procedure:

The Model 2305™ Eco-Scale is ***pre-calibrated at the factory to within specified accuracy and is calibrated to standards traceable to the Bureau of Weights and Measures. No further calibration should be necessary. If the electronics or load cells in the base are being replaced, the following procedure should be used.***

1. Plug the AC Cord into a well-grounded receptacle. There is no power on / off switch, so power is applied as soon as it is plugged in.
2. Allow approximately 15 minutes warm-up time before calibration.
3. While indicator is warming up, proceed to check under base to make sure there is no debris, and that base is as level as possible.
4. WITH NO WEIGHT APPLIED TO THE SCALE, turn the black tare knob on the outside of the door of the indicator in the clockwise direction to make sure that there is *at least* +10 lb. of weight in the tare knob. If not, adjust R-6 to see a positive reading. Once that is established, turn the black tare knob on the door of the indicator counter-clockwise until it stops (DO NOT OVER TURN KNOB OR YOU WILL DAMAGE THE TARE POT!) Once it reaches the most negative reading, make sure you have at least -150 lb. on the display. If the tare span is large, you may get to a -1 reading and this is a weight under-load condition. Turn R-6 until you see a number a number that is not “below” -199.9 lb.
5. Adjust tare knob on front of weigh meter until scale reads zero with no weight on platform. Adjust R-22 to set the 4mA reading to 0lbs.
5. Place a known weight on the base, as close to center as possible. Weight should be equal to ½ of capacity, or greater, and must be centered between the pivot point and the fulcrum. *You will have to measure and calculate this on your own.*
6. Adjust R-15 until display reads weight of test weight on scale base.

7. To complete calibration of 4-20mA output, adjust R-19 for proper 20 mA adjustment reading. Factory setting is for 20 mA at 150.0 lb (68 kg.) unless specified otherwise.
8. Calibration is complete if specified accuracy is obtained.

VI. Troubleshooting:

1. If display reads: “-1”:

- A. Gross under-load. Turn knob clockwise. Numbers should reappear and can be adjusted to tare weight or zero as required.
- B. Check load cell connections at indicator, and connect wires as per diagram on Page 5.

2. If display reads: “1”:

- A. Gross over-load. If starting point was zero, the cylinder weight is more than 199.9 lb., or kg.
- B. If starting point was -150.0 lb. (68kg.) then the cylinder weight is more than 349.9 lb. (158 kg.). Remove weight and recheck tare setting.
- C. Check load cell connections according to page 2.

3. If no display (not lit):

- A. Check power to weigh meter.
- B. Check green light on power supply board. It should be lit. If not lit, it is shorted out.

4. Other Problems:

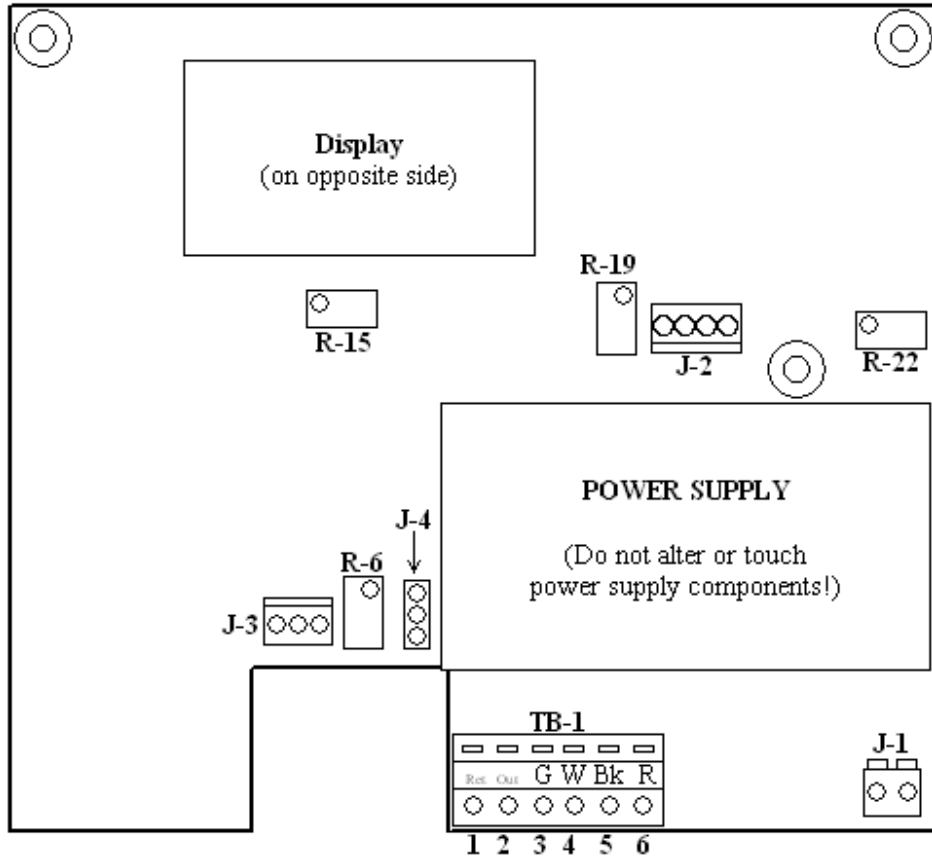
- A. Consult the Factory!

USA & Canada Toll-Free: (800) 257-5911
Tel: (+1) 215-766-2670 ♦ Fax: (+1) 215-766-2672

Notice: Do not return any equipment without first contacting the factory. A return authorization number will be issued and it must be marked on all materials returned to the factory, accompanying a letter that explains the problem specifically. A Serial Number will also be required. It is located inside the indicator box.

VII. Board Diagram:

3 1/2 digit LCD Board



From left to right with P.C. Board as shown, the following connections should be made:
 (Connector is identified with positions 1-6 from left to right, but is not labeled on the p.c. board.)
 Sticker on connector identifies the color wires from the base to connect to TB-1.

TB-1:

- 1 - (Ret) Common, 4-20mA return
- 2 - (Out) + 4-20mA Output
- 3 - Green = G = + Signal
- 4 - White = W = - Signal
- 5 - Black = Bk = - Supply Voltage
- 6 - Red = R = + Supply Voltage

J-1 - Voltage (AC) line connection

J-2 - Optional Low Level Board connection

J-3 - Tare Pot connector

J-4 - Top two pins jumpered for Loop Powered 4-20mA,
 Bottom two pins jumpered for Scale Powered 4-20mA.

R-6 - tare adjustment

R-15 - weight span

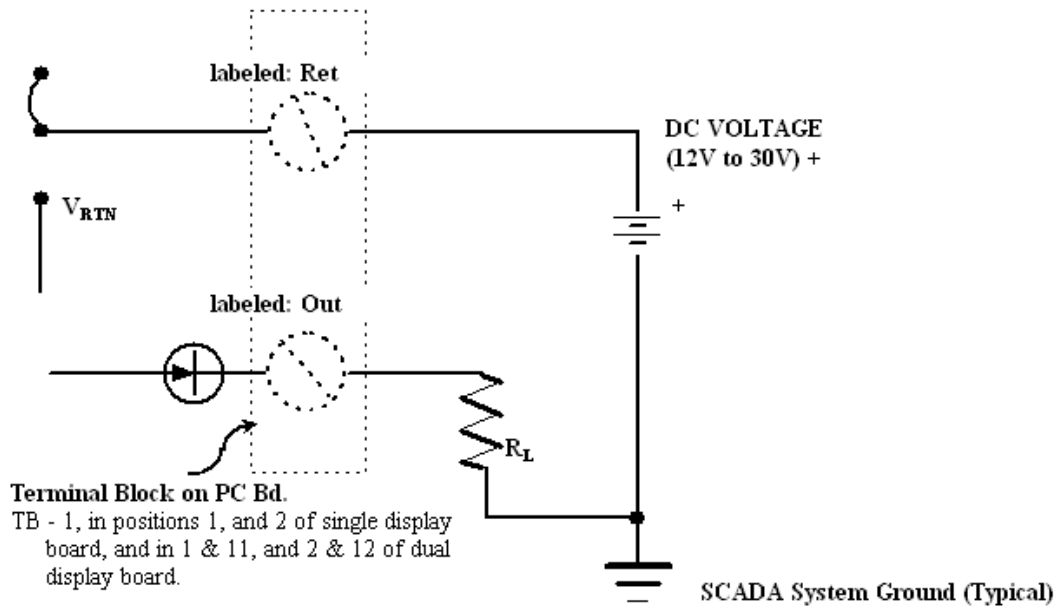
R-19 - 20mA adjustment

R-22 - 4mA adjustment

4-20mA Diagram:

Refer to appropriate diagram:

LOOP POWERED DIAGRAM



SCALE POWERED DIAGRAM

