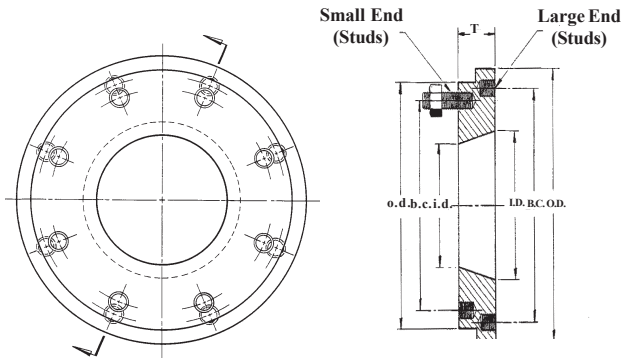


# Compact Flange Reducer

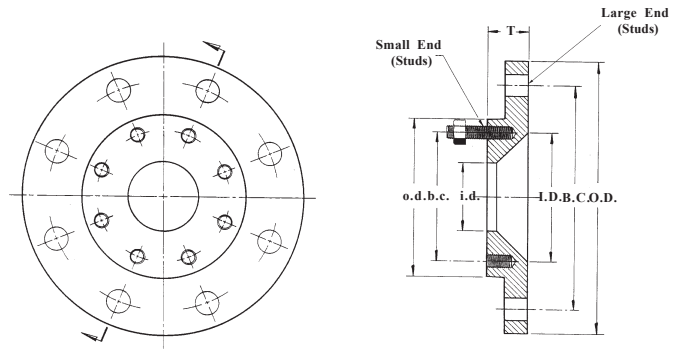
Class 125/150 Flanges

**UNITED  
BRAND**

**TYPE A**



**TYPE B**



\*On Type B, larger flange sizes use standard hex head nuts and bolts.

Flange Size	Part No.	Large End			Small End			T	Type	Large End Studs		Small End Studs	
		I.D.	O.D.	B.C.	i.d.	o.d.	b.c.			Qty.	Size	Qty.	Size
2 x 1-1/2	740-110-100	2.00	6.00	4.75	1.50	6.00	3.88	1.50	A	4	5/8 x 3	4	1/2 x 2-1/2
2 1/2 x 1-1/2	740-120-100	2.50	7.00	5.50	1.50	6.00	3.88	1.50	A	4	5/8 x 3	4	1/2 x 2-1/2
2 1/2 x 2	740-120-110	2.50	7.00	5.50	2.00	6.00	4.75	1.50	A	4	5/8 x 3	4	5/8 x 3
3 x 1-1/2	740-130-100	3.00	7.50	6.00	1.50	6.00	3.88	1.50	A	4	5/8 x 3	4	1/2 x 2-1/2
3 x 2	740-130-110	3.00	7.50	6.00	2.00	6.00	4.75	1.50	A	4	5/8 x 3	4	5/8 x 3
3 x 2-1/2	740-130-120	3.00	7.50	6.00	2.50	7.00	5.50	1.50	A	4	5/8 x 3	4	5/8 x 3
4 x 2	740-140-110	4.00	9.00	7.50	2.00	6.00	4.75	1.50	A	8	5/8 x 3	4	5/8 x 3
4 x 2-1/2	740-140-120	4.00	9.00	7.50	2.50	7.00	5.50	1.50	A	8	5/8 x 3	4	5/8 x 3
4 x 3	740-140-130	4.00	9.00	7.50	3.00	7.50	6.00	1.50	A	8	5/8 x 3	4	5/8 x 3
6 x 2-1/2	790-160-120	6.00	11.00	9.50	2.50	7.00	5.50	1.50	B	-	-	8	5/8 x 3
6 x 3	790-160-130	6.00	11.00	9.50	3.00	7.50	6.00	1.50	B	-	-	8	5/8 x 3
6 x 4	740-160-140	6.00	11.00	9.50	4.00	9.00	7.50	2.00	A	8	3/4 x 3-1/2	8	5/8 x 3
6 x 5	740-160-150	6.00	11.00	9.50	5.00	10.00	8.50	2.00	A	8	3/4 x 3-1/2	8	5/8 x 3
8 x 4	790-180-140	8.00	13.50	11.75	4.00	9.00	7.50	2.00	B	-	-	8	5/8 x 3
8 x 5	740-180-150	8.00	13.50	11.75	5.00	10.00	8.50	2.00	A	8	3/4 x 3-1/2	8	5/8 x 3
8 x 6	740-180-160	8.00	13.50	11.75	6.00	11.00	9.50	2.00	A	8	3/4 x 3-1/2	8	3/4 x 3-1/2
10 x 2	790-200-110	10.00	16.00	14.25	2.00	6.00	4.75	1.50	B	-	-	4	5/8 x 3
10 x 4	790-200-140	10.00	16.00	14.25	4.00	9.00	7.50	2.00	B	-	-	12	5/8 x 3
10 x 5	790-200-150	10.00	16.00	14.25	5.00	10.00	8.50	2.00	B	-	-	12	3/4 x 3-1/2
10 x 6	740-200-160	10.00	16.00	14.25	6.00	11.00	9.50	2.00	A	12	7/8 x 3 -1/2	8	3/4 x 3-1/2
10 x 8	740-200-180	10.00	16.00	14.25	8.00	13.50	11.75	2.00	A	12	7/8 x 3-1/2	8	3/4 x 3-1/2
12 x 4	790-220-140	12.00	19.00	17.00	4.00	9.00	7.50	2.00	B	-	-	12	5/8 x 3
12 x 6	790-220-160	12.00	19.00	17.00	6.00	11.00	9.50	2.00	B	-	-	12	3/4 x 3-1/2
12 x 8	740-220-180	12.00	19.00	17.00	8.00	13.50	11.75	2.00	A	12	7/8 x 3-1/2	8	3/4 x 3-1/2
12 x 10	740-220-200	12.00	19.00	17.00	10.00	16.00	14.25	2.00	A	12	7/8 x 3-1/2	12	7/8 x 3-1/2
14 x 6	790-240-160	14.00	21.00	18.75	6.00	11.00	9.50	2.50	B	-	-	12	3/4 x 3-1/2
14 x 8	790-240-180	14.00	21.00	18.75	8.00	13.50	11.75	2.50	B	-	-	12	3/4 x 3-1/2
14 x 10	740-240-200	14.00	21.00	18.75	10.00	16.00	14.25	2.50	A	12	1 x 4	12	7/8 x 3-1/2
14 x 12	740-240-220	14.00	21.00	18.75	12.00	19.00	17.00	2.50	A	12	1 x 4	12	7/8 x 3-1/2
16 x 6	790-260-160	16.00	23.50	21.25	3.00	11.00	9.50	2.50	B	-	-	16	3/4 x 3-1/2
16 x 8	790-260-180	16.00	23.50	21.25	8.00	13.50	11.75	2.50	B	-	-	16	3/4 x 3-1/2
16 x 10	790-260-200	16.00	23.50	21.25	10.00	16.00	14.25	2.50	B	-	-	16	7/8 x 3-1/2
16 x 12	740-260-220	16.00	23.50	21.25	12.00	19.00	17.00	2.50	A	16	1 x 4	12	7/8 x 3-1/2
16 x 14	740-260-240	16.00	23.50	21.25	14.00	21.00	18.75	2.50	A	16	1 x 4	12	1 x 4
18 x 12	740-280-220	18.00	25.00	22.75	12.00	19.00	17.00	2.50	B	-	-	12	7/8 x 3-1/2
20 x 12	740-300-220	20.00	27.50	25.00	12.00	19.00	17.00	2.50	B	-	-	12	7/8 x 3-1/2

**Material:** Ductile Iron - ASTM A536 or ASTM A36 Steel

