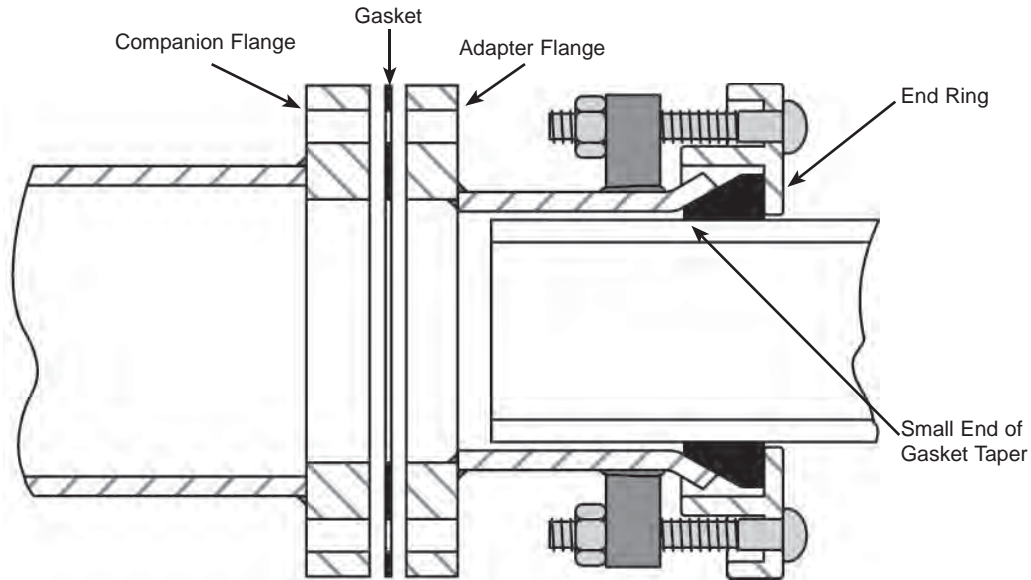


INSTALLATION INSTRUCTIONS FOR MODEL FCA FLANGED COUPLING ADAPTER

Refer to the Ford website (<http://www.fordmeterbox.com>) for additional and most recent installation instructions and product information.



FCA Type Coupling

1. Measure pipe diameter carefully, using a reliable outside diameter tape, making sure the pipe O.D. falls within the range of the flanged coupling adapter.
2. Prepare plain end pipe by cleaning a surface from the end of the pipe to a distance equal to the length of the adapter body plus 3 inches. Check pipe surface to ensure the gasket bearing surface is free from dents, flat spots or pitted areas that might impair gasket seating.
3. Begin assembly by placing the end ring onto the pipe end. Apply a non-petroleum based lubricant, suitable for potable water, to the gasket, gasket cavity, and the pipe end to enable proper seating around the pipe and into the adapter. Place the gasket on the pipe with the small end of the gasket taper facing the pipe end.
4. Bolt the flange of the flanged coupling adapter to the companion flange using an appropriate gasket. Flange bolts should be tightened in an alternating pattern to evenly compress gasket.
5. Before assembling the coupling end of the flanged coupling adapter, be sure the gasket and gasket seating area inside the adapter body are free of all foreign material.
6. Insert the pipe end into the adapter body and bring the tapered gasket into place by sliding the end ring up to the adapter body. **Be sure to keep the pipe centered in the adapter body and end ring.**
7. Insert all end ring bolts and tighten nuts finger-tight. Evenly tighten bolts in an alternating pattern, being certain the end ring remains parallel to the flange and perpendicular to the center line of the pipe. Complete tightening bolts in an alternating sequence by using a torque wrench set at 60 - 70 ft. lbs. of torque.
8. Recheck the torque on the bolts after pressurizing the line.

Caution: Flanged coupling adapters do not restrain axial pipe movement. Make sure proper restraint is applied when required.



The Ford Meter Box Co., Inc. 775 Manchester Avenue, P.O. Box 443, Wabash, Indiana, USA 46992-0443
Telephone: 260-563-3171 FAX: 800-826-3487 Overseas FAX: 260-563-0167 <http://www.fordmeterbox.com>