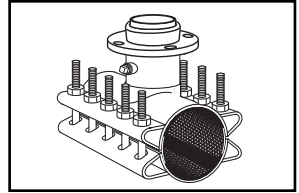
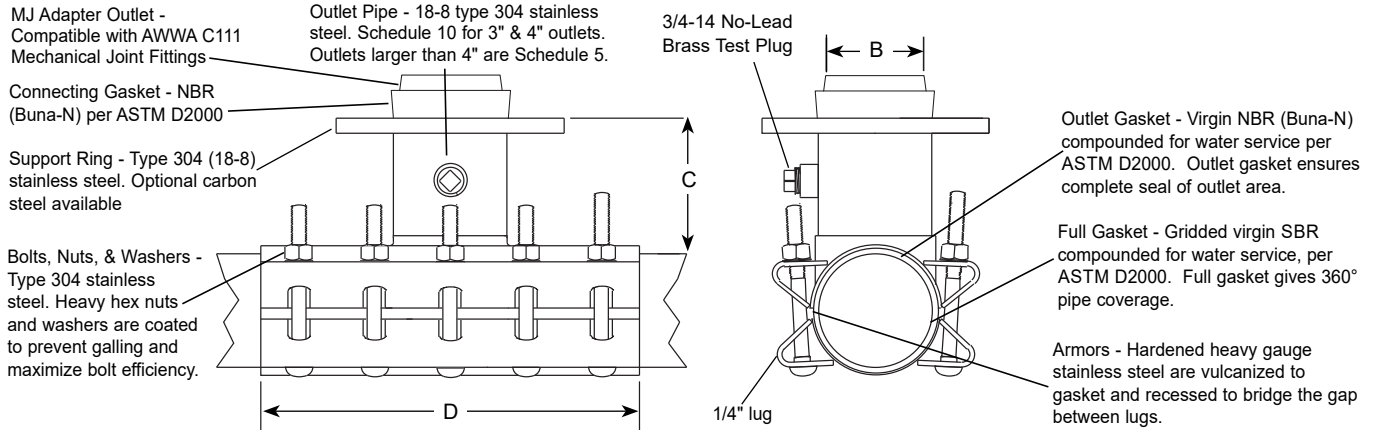


SUBMITTAL INFORMATION

Stainless Steel Tapping Sleeve 42" - 48" - (FTSS-xxxx-xx-MJ style)



*TAPPING SLEEVE WITH STAINLESS STEEL OR CARBON STEEL FLANGE WITH MECHANICAL JOINT OUTLET



NOMINAL PIPE SIZE	SLEEVE O.D. RANGE	BY	OUTLET SIZE CODE	NOMINAL DIMENSIONS-INCHES			No. OF BOLTS	APPROX. WT. LBS.	SLEEVE NUMBER	✓ SUBMITTED ITEM(S)
				B	C	D				
42"	41.80-42.20 44.20-44.60 44.40-44.80		3	3-1/4	5-3/16	16	6	255	FTSS-4220-xx-MJ FTSS-4460-xx-MJ FTSS-4480-xx-MJ	
			4	4-1/4	5-3/16	16	6	255		
			6	6-13/32	5-1/2	16	6	270		
			8	8-13/32	5-5/8	16	8	285		
			10	10-27/64	6-1/8	20	10	430		
			12	12-27/64	6-1/4	24	12	450		
			14	14	6-3/8	24	16	510		
			16	16	6-3/8	32	16	650		
48"	47.80-48.20 50.50-50.90 51.20-51.60 51.60-52.00		18	18	6-3/8	36	18	730	FTSS-4820-xx-MJ FTSS-5090-xx-MJ FTSS-5160-xx-MJ FTSS-5200-xx-MJ	
			20	20	6-3/8	40	20	825		
			24	24	6-3/8	48	24	1030		
			3	3-1/4	5-3/16	16	6	300		
			4	4-1/4	5-3/16	16	6	300		
			6	6-13/32	5-1/2	16	6	320		
			8	8-13/32	5-5/8	16	8	335		
			10	10-27/64	6-1/8	20	10	465		
12	12-27/64	6-1/4	24	12	485					
14	14	6-3/8	24	16	540					
16	16	6-3/8	32	16	700					
18	18	6-3/8	36	18	800					
20	20	6-3/8	40	20	895					
24	24	6-3/8	48	24	1100					

* The complete FTSS catalog number for a 30" pipe (32.00 O.D.) with a 16" stainless steel outlet is FTSS-3222-12-MJ. For carbon steel outlet, add "A" to the catalog number. Example: FTSS-3222-12A-MJ.

Note: A 1" undersize cutter is required for outlets 14" and larger. Oversize outlets are available by special request.

FEATURES

- Body, straps and UNC threaded bolts are made of 18-8 type 304 stainless steel. Support ring can be either 18-8 type 304 stainless steel or ASTM A36 carbon steel. All welds are fully passivated for corrosion resistance
- Outlet gasket is NBR (Buna-N) per ASTM D2000
- Other sizes and ranges available. Contact your Ford Meter Box® representative for details
- Removable bolt design
- UL Classified to ANSI/NSF Standard 61

The Ford Meter Box Company considers the information in this submittal form to be correct at the time of publication. Item and option availability, including specifications, are subject to change without notice. Please verify that your product information is current.



The Ford Meter Box Company, Inc.
P.O. Box 443, Wabash, Indiana U.S.A. 46992-0443
Phone: 260-563-3171 / Fax: 800-826-3487
Overseas Fax: 260-563-0167
www.fordmeterbox.com

05/15/18

Submitted By:



36 Hudson Rd
Sudbury MA 01776



800-225-4616
www.tisales.com