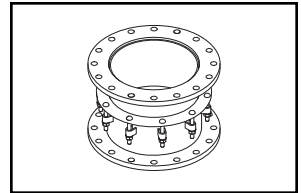
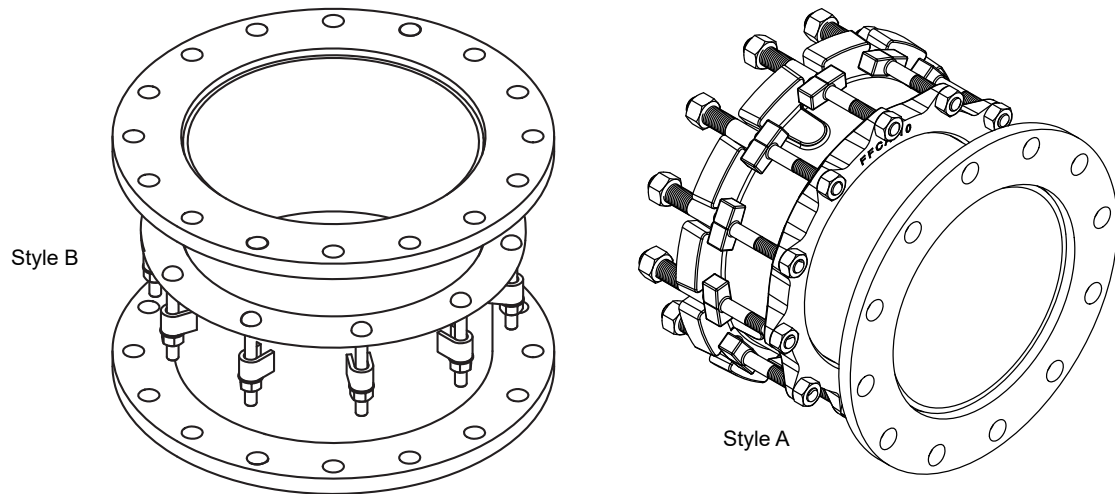


SUBMITTAL INFORMATION

Dismantling Joint - (FDJ-DxxR style)



DISMANTLING JOINT - CLASS D FLANGE



NOMINAL SIZE	CATALOG NUMBER	NOMINAL LENGTH	MINIMUM LENGTH	MAXIMUM LENGTH	STYLE	APPROX. WEIGHT	✓ SUBMITTED ITEM(S)
3"	FDJ-D3R	8-5/16"	7-1/2"	9-1/8"	A	31	
4"	FDJ-D4R	8-1/16"	7-1/8"	9"	A	39	
6"	FDJ-D6R	9"	8"	10"	A	59	
8"	FDJ-D8R	9-1/16"	8-1/8"	10"	A	80	
10"	FDJ-D10R	10-1/2"	9-1/2"	11-1/2"	A	93	
12"	FDJ-D12R	10-1/2"	9-1/2"	11-1/2"	A	131	
14"	FDJ-D14R	14-3/4"	13-1/4"	16-1/4"	B	192	
16"	FDJ-D16R	15"	13-1/2"	16-1/2"	B	249	
18"	FDJ-D18R	15-1/8"	13-5/8"	16-5/8"	B	270	
20"	FDJ-D20R	15-1/8"	13-5/8"	16-5/8"	B	310	
24"	FDJ-D24R	15-1/4"	13-3/4"	16-3/4"	B	396	
30"	FDJ-D30R	15-7/8"	14-3/4"	17"	B	605	
36"	FDJ-D36R	16-1/4"	15-1/4"	17-1/4"	B	971	
48"	FDJ-D48R	17-3/8"	15-3/4"	19"	B	1567	

FEATURES

- Flange: AWWA Class D flange, drilling per ANSI/AWWA C110/A21, ANSI B16.5 150 lb.
- Flange and adjusting pipe: ASTM A36 carbon steel
- Gaskets - Extruded SBR Rubber per ASTM D2000
- Bolts and nuts - High strength, low alloy steel per AWWA C111
- Coating - Black Enamel Shop Coat - NSF 61 Approved

The Ford Meter Box Company considers the information in this submittal form to be correct at the time of publication. Item and option availability, including specifications, are subject to change without notice. Please verify that your product information is current.



The Ford Meter Box Company, Inc.

P.O. Box 443, Wabash, Indiana U.S.A. 46992-0443
 Phone: 260-563-3171 / Fax: 800-826-3487
 Overseas Fax: 260-563-0167
 www.fordmeterbox.com

02/12/18

Submitted By:



36 Hudson Rd
 Sudbury MA 01776



800-225-4616
 www.tisales.com