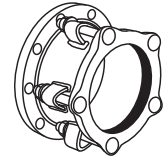
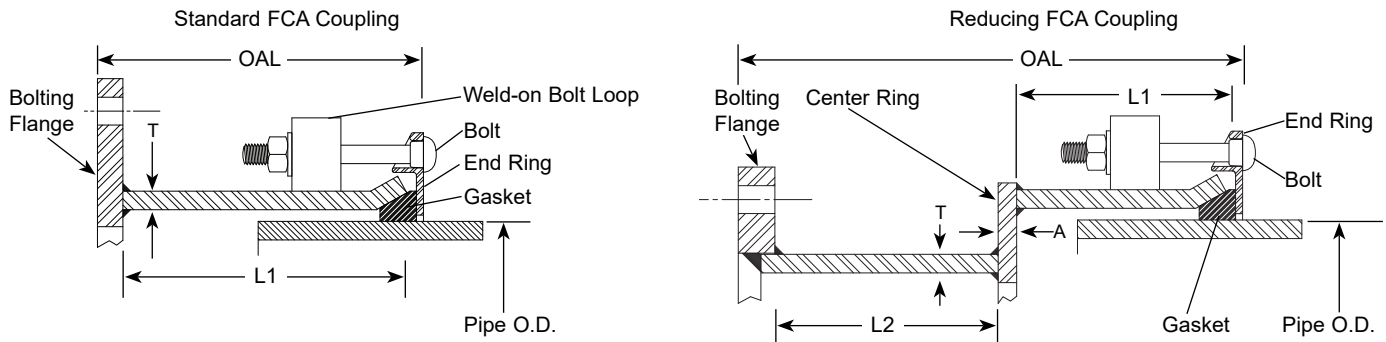


SUBMITTAL INFORMATION

Adapter Flanges - (FCA-xxxx-DxxR style)



30" - 48" STYLE FCA COUPLINGS FOR CONNECTING PLAIN END PIPE TO FLANGED FITTINGS



NOM. PIPE SIZE	COUPLING GASKET RANGE	FLG. SIZE	END RING BOLTS*			DIMENSION		SLEEVE LGTH		APPROX. OVERALL LENGTH	APPROX. WT. LBS.	RATED WORKING PRESSURE	CATALOG NUMBER	✓ SUBMITTED ITEM(S)
			DIA.	LGTH.	QTY.	A	T	L1	L2					
30"	30.00	24"	5/8"	5"	18	7/8"	1/4"	5"	7"	14-7/8"	376	150	FCA-3000-D24R	
	30.00	30"				n/a		10"	n/a	11-1/2"	314		FCA-3000-D30R	
	32.00	24"				7/8"		5"	7"	14-7/8"	323		FCA-3200-D24R	
	32.00	30"				n/a		10"	n/a	11-1/2"	323		FCA-3200-D30R	
36"	36.00	30"	5/8"	5"	18	7/8"	1/4"	5"	7"	15"	435	150	FCA-3600-D30R	
	36.00	36"				n/a		10"	n/a	11-1/2"	472		FCA-3600-D36R	
	38.30	30"				7/8"		5"	7"	15"	420		FCA-3830-D30R	
	38.30	36"				n/a		10"	n/a	11-1/2"	411		FCA-3830-D36R	
42"	42.00	36"	5/8"	5"	20	7/8"	3/8"	5"	7"	15-1/8"	600	150	FCA-4200-D36R	
	42.00	42"				n/a		10"	n/a	11-1/2"	628		FCA-4200-D42R	
	44.50	36"				7/8"		5"	7"	15-1/8"	630		FCA-4450-D36R	
	44.50	42"				n/a		10"	n/a	11-1/2"	658		FCA-4450-D42R	
48"	48.00	42"	5/8"	5"	22	7/8"	3/8"	5"	7"	15-1/4"	750	150	FCA-4800-D42R	
	48.00	48"				n/a		10"	n/a	11-1/2"	768		FCA-4800-D48R	
	50.80	42"				7/8"		5"	7"	15-1/4"	750		FCA-5080-D42R	
	50.80	48"				n/a		10"	n/a	13-1/2"	766		FCA-5080-D48R	

Note: Flexible couplings do not restrain axial forces on piping.

* 30" thru 48" reducing coupling sleeves employ weld-on bolt loops rather than connecting to center ring.

FEATURES

- Sleeve: Carbon steel per ASTM A36
- Center Ring: Carbon steel per ASTM A36
- End Ring: Carbon steel per AISI 1018/1020
- Bolts and Nuts: Low alloy steel per ASTM A242 or AWWA C111
- Flange: Class D AWWA C207
- Gasket: SBR rubber per ASTM D2000
- Finish: Black shop coat - NSF 61 approved

The Ford Meter Box Company considers the information in this submittal form to be correct at the time of publication. Item and option availability, including specifications, are subject to change without notice. Please verify that your product information is current.



The Ford Meter Box Company, Inc.
 P.O. Box 443, Wabash, Indiana U.S.A. 46992-0443
 Phone: 260-563-3171 / Fax: 800-826-3487
 Overseas Fax: 260-563-0167
 www.fordmeterbox.com

03/01/18

Submitted By:

Ti SALES

36 Hudson Rd
 Sudbury MA 01776



800-225-4616
 www.tisales.com