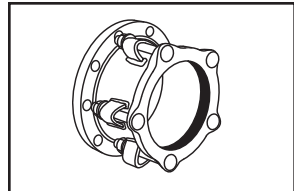
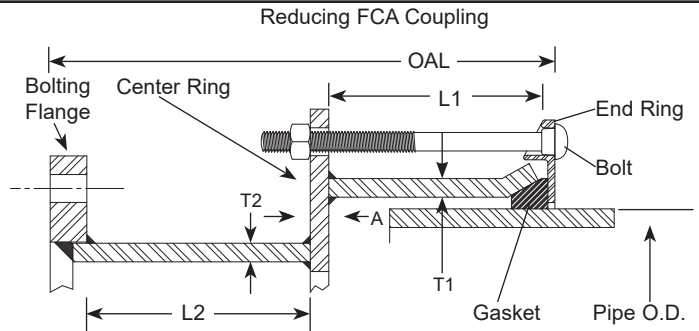
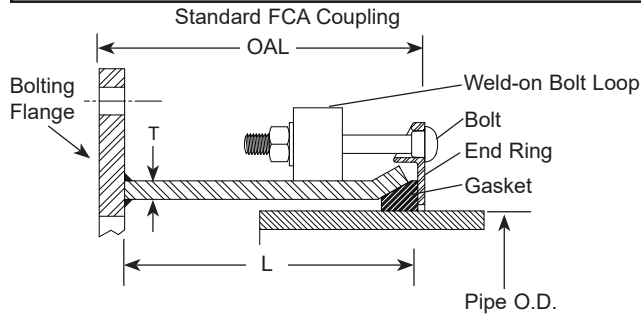


SUBMITTAL INFORMATION

Adapter Flanges - (FCA-xxx-DxxR style)



3" - 12" STYLE FCA COUPLINGS FOR CONNECTING PLAIN END PIPE TO FLANGED FITTINGS



NOM. PIPE SIZE	COUPLING GASKET RANGE (IN.)	FLG. SIZE	END RING BOLTS			DIMENSION		SLEEVE LGTH			APPROX. OVERALL LENGTH	APPROX. WT. LBS.	RATED WORKING PRESSURE	CATALOG NUMBER	✓ SUBMITTED ITEM(S)	
			DLA.	LGTH.	QTY.	A	T / T2	T1	L / L1	L2						
3"	3.70 - 3.88	3"	5/8"	5"	3	n/a	3/8"	n/a	*7"	n/a	8-1/2"	21	175	FCA-380-D3R		
	4.00															n/a
4"	4.50 - 4.80	4"	5/8"	5"	3	n/a	3/8"	n/a	*7"	n/a	8-1/2"	27	175	FCA-480-D4R		
	6.00															1/4"
6"	6.00	4"	5/8"	8"	4	n/a	3/8"	3/16"	5"	7"	13-1/2"	40	175	FCA-600-D6R		
	6.30															1/4"
	6.30	6"	5"	n/a	n/a	n/a	n/a	n/a	*7"	n/a	8-1/2"	38	175	FCA-630-D6R		
	6.63 - 6.90															1/4"
	6.63 - 6.90	6"	5"	n/a	n/a	n/a	n/a	n/a	*7"	n/a	8-1/2"	36	175	FCA-690-D4R		
	8.00															1/4"
	8"	8.00	8"	5/8"	8"	5	1/4"	1/4"	n/a	5"	7"	13-1/2"	45	175	FCA-800-D6R	
		8.63 - 9.05														
8.63 - 9.05		4"	8"	1/4"	3/16"	5"	7"	13-1/2"	46	175	FCA-905-D4R					
8.63 - 9.05													1/4"	3/16"	5"	7"
8.63 - 9.05		6"	8"	n/a	n/a	n/a	n/a	10"	n/a	11-1/2"	47	175	FCA-905-D8R			
9.05 - 9.40															1/4"	n/a
10"	10.00	10"	5/8"	5"	6	n/a	1/4"	n/a	10"	n/a	11-1/2"	65	175	FCA-1000-D10R		
	10.75															1/4"
	10.75	8"	5"	n/a	n/a	n/a	n/a	n/a	10"	n/a	11-1/2"	61	175	FCA-1075-D10R		
	11.10 - 11.46															1/4"
	11.10 - 11.46	10"	5"	n/a	n/a	n/a	n/a	n/a	10"	n/a	11-1/2"	59	175	FCA-1146-D10R		
12.00	1/4"															n/a
12"	12.75	12"	5/8"	5"	6	n/a	1/4"	n/a	10"	n/a	11-1/2"	87	175	FCA-1275-D12R		
	13.20 - 13.56															1/4"
	13.20 - 13.56	10"	8"	n/a	n/a	n/a	n/a	n/a	10"	n/a	11-1/2"	81	175	FCA-1356-D10R		
	13.20 - 13.56															1/4"

Note: Flexible couplings do not restrain axial forces on piping.
 *1/4" thick sleeve reducer used to attach sleeve to flange

FEATURES

- Sleeve - Carbon steel per ASTM A36
- Center Ring - Carbon steel per ASTM A36
- End Rings - Ductile iron per ASTM A536
- Flange - Class D AWWA C207
- Bolts and Nuts - Low alloy steel per ASTM A242 or AWWA C111
- Gasket - SBR rubber per ASTM D2000
- Finish - Black shop coat - NSF 61 approved

The Ford Meter Box Company considers the information in this submittal form to be correct at the time of publication. Item and option availability, including specifications, are subject to change without notice. Please verify that your product information is current. Our standard warranty applies.



The Ford Meter Box Company, Inc.
 P.O. Box 443, Wabash, Indiana U.S.A. 46992-0443
 Phone: 260-563-3171 / Fax: 800-826-3487
 Overseas Fax: 260-563-0167
 www.fordmeterbox.com

05/19/21

Submitted By:



36 Hudson Rd
 Sudbury MA 01776



800-225-4616
 www.tisales.com