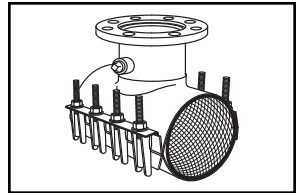


SUBMITTAL INFORMATION

Stainless Steel Tapping Sleeve - (FAST-xxx-x style)



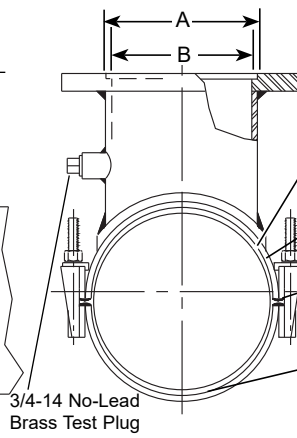
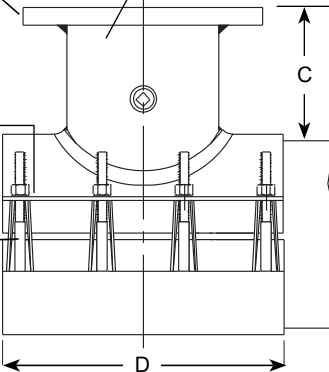
STAINLESS STEEL TAPPING SLEEVE

Flange - Type 304 (18-8) stainless steel with recess per MSS SP-60 to accept standard tapping valves. Flange conforms to AWWA C228 Class D ANSI 150# drilling. Optional carbon steel flange, per AWWA C207, is available.

Lifter bar - Type 304 stainless steel provides a heavy bearing surface for nuts.

Studs, nuts, & washers - Type 304 stainless steel. Nuts and washers are coated to prevent galling.

Outlet Pipe - 18-8 type 304 stainless steel. Schedule 10 for 3" & 4" outlets. Outlets larger than 4" are Schedule 5



Outlet Gasket - Virgin NBR (Buna-N) compounded for water service, per ASTM D2000. Outlet gasket ensures complete seal of outlet area.

Full Gasket - Gridded Virgin SBR compounded for water service, per ASTM D2000. Full gasket gives 360° pipe coverage.

Armors - Heavy gauge stainless steel are vulcanized to gasket to bridge the gap between lugs.

Body & Strap - Type 304 stainless steel. All welds are fully passivated to restore stainless characteristics.



NOM. PIPE SIZE	SLEEVE O.D. RANGE	CATALOG NUMBER **	BY	SS** FLANGE SIZE	APPROX. Wt.	NOMINAL DIMENSIONS - INCHES				SADDLE THICKNESS (GAUGE)	STRAP THICKNESS (GAUGE)	STUD SIZE	No. STUDS	✓ SUBMITTED ITEM(S)	
						A	B	C	D						
3"	3.50-3.96	FAST-396 -		3	25	4-1/64	3-1/4	5-3/16	15	.075" (14)	.048" (18)	5/8"	8		
4"	4.50-4.80	FAST-480 -		3	25	4-1/64	3-1/4	5-3/16	15	.075" (14)	.048" (18)	5/8"	8		
	4.80-5.10	FAST-510 -		4	36	5-1/64	4-1/4	5-3/16	15						
	5.05-5.30	FAST-530 -													
6"	6.60-7.00	FAST-700 -		3	25	4-1/64	3-1/4	5-3/16	15	.105" (12)	.048" (18)	5/8"	8		
	6.90-7.30	FAST-730 -		4	39	5-1/64	4-1/4	5-3/16	15						
	7.10-7.50	FAST-750 -		6	43	7-1/64	6-13/32	5-1/2	15						
8"	8.10-8.50	FAST-850 -		3	25	4-1/64	3-1/4	5-3/16	15	.105" (12)	.048" (18)	5/8"	8		
	8.63-9.05	FAST-905 -		4	43	5-1/64	4-1/4	5-3/16	15				8		
	9.05-9.45	FAST-945 -		6	47	7-1/64	6-13/32	5-1/2	15				8		
	9.30-9.70	FAST-970 -		8	64	9-1/64	8-13/32	5-5/8	20				12		
10"	10.75-11.15	FAST-1115 -		3	25	4-1/64	3-1/4	5-3/16	15	.105" (12)	.048" (18)	5/8"	8		
	11.05-11.45	FAST-1145 -		4	43	5-1/64	4-1/4	5-3/16	15				8		
	11.75-12.15	FAST-1215 -		6	47	7-1/64	6-13/32	5-1/2	15				8		
			8	64	9-1/64	8-13/32	5-5/8	20	12						
				10	73	11-1/64	10-31/64	6-1/8	20				.063 (16)	5/8"	12
12"	12.75-13.20	FAST-1320 -		3	25	4-1/64	3-1/4	5-3/16	15	.105" (12)	.048" (18)	5/8"	8		
	13.10-13.50	FAST-1350 -		4	43	5-1/64	4-1/4	5-3/16	15				.048 (18)	8	
			6	47	7-1/64	6-13/32	5-1/2	15	.048 (18)				8		
	14.00-14.40	FAST-1440 -		8	64	9-1/64	8-13/32	5-5/8	20				.048 (18)	12	
			10	73	11-1/64	10-31/64	6-1/8	20	.048 (18)				12		
				12	107	13-1/64	12-27/64	6-1/4	24				.063 (16)	14	
14"	15.10-15.50	FAST-1550 -		3	25	4-1/64	3-1/4	5-3/16	15	.105" (12)	.048" (18)	5/8"	10		
	15.30-15.70	FAST-1570 -		4	43	5-1/64	4-1/4	5-3/16	15				.048 (18)	10	
	15.80-16.20	FAST-1620 -		6	47	7-1/64	6-13/32	5-1/2	15				.048 (18)	10	
			8	64	9-1/64	8-13/32	5-5/8	20	.048 (18)				12		
	16.48-16.88	FAST-1688 -		10	73	11-1/64	10-31/64	6-1/8	20				.048 (18)	12	
			12	107	13-1/64	12-27/64	6-1/4	24	.063 (16)				14		

Highlighted ranges are recommended for ductile iron pipe and C900/C905 PVC applications.

** To order: Add flanged outlet size to catalog number. Example: The complete FAST catalog number for an 8" pipe (9.05 O.D.) with a 6" stainless steel flange is FAST-945-6. For a carbon steel flange, add "A" to the catalog number. Example: FAST-945-6A

FEATURES

- Body, straps and UNC threaded studs are made of type 304 stainless steel. Flange can be either ASTM A240 type 304 stainless steel or ASTM A36 carbon steel
- All sleeves are fully passivated for corrosion resistance
- Tapping sleeves rated for 250 psi working pressure on 3"-12"
- Outlet gasket is NBR (Buna-N) rubber per ASTM D2000
- UL classified to ANSI/NSF standard 61

The Ford Meter Box Company considers the information in this submittal form to be correct at the time of publication. Item and option availability, including specifications, are subject to change without notice. Please verify that your product information is current.



The Ford Meter Box Company, Inc.

P.O. Box 443, Wabash, Indiana U.S.A. 46992-0443

Phone: 260-563-3171 / Fax: 800-826-3487

Overseas Fax: 260-563-0167

www.fordmeterbox.com

04/16/18

Submitted By:



36 Hudson Rd
Sudbury MA 01776



800-225-4616
www.tisales.com