

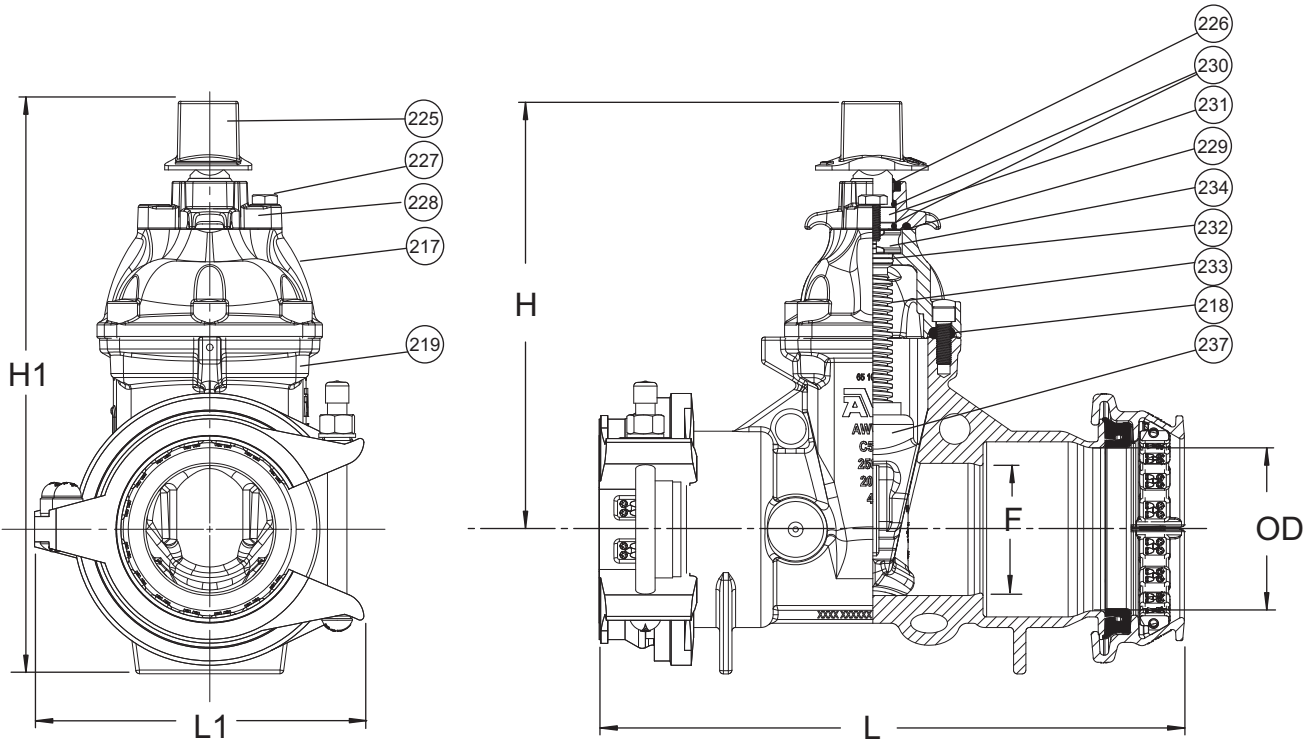


**AMERICAN AVK RESILIENT SEATED DUCTILE IRON GATE VALVE**  
**250 PSI, Tested to AWWA C515 (NRS)**  
**HYMAX GRIP® - Valve sizes 1½" - 12"**

**65/HHN-WD**  
**HYxHY**

**Component List:**

- |                    |                              |                             |
|--------------------|------------------------------|-----------------------------|
| 217. Bonnet        | 227. Gland Flange Bolt       | 232. Lower Stem Seal O-Ring |
| 218. Bonnet Gasket | 228. Gland Flange            | 233. NRS Stem               |
| 219. Body          | 229. Gland O-Ring            | 234. Thrust Collar          |
| 225. Wrench Nut    | 230. Upper Stem Seal O-Rings | 237. Wedge                  |
| 226. Wiper Ring    | 231. Stem Seal Bushing       |                             |



Ref No.	Size	Pipe OD Min/Max	F	H	H1	L	L1	Turns to Open	Weight (lbs.)
65-050-HHN	1.5"-2"***	4.40"/5.10"	4.10"	13.82"	18.47"	20.46"	10.60"	9.5	83
65-065-HHN	2.5"	4.40"/5.10"	4.10"	13.82"	18.47"	20.46"	10.60"	11	83
65-080-HHN	3"	4.40"/5.10"	4.10"	13.82"	18.47"	20.46"	10.60"	15	83
65-100-HHN	4"	4.40"/5.10"	4.10"	13.82"	18.47"	20.46"	10.60"	17	83
65-150-HHN	6"	6.50"/7.20"	6.18"	17.81"	23.91"	21.80"	12.90"	21	131
65-200-HHN	8"	8.50"/9.40"	8.19"	21.83"	29.31"	23.75"	15.70"	27	193
65-250-HHN	10"	10.65"/11.55"	10.25"	25.06"	33.72"	24.83"	18.20"	34	279
65-300-HHN	12"	12.68"/13.39"	12.25"	27.96"	37.41"	24.50"	19.80"	41	349

\*\* Note: The 2" valve has a 1.5" adaptor gasket installed that must be removed for 2" use.

Min. Coupling Torque - Ft. Lbs.

- 2"-3" - 70
- 4" - 90
- 6" - 110
- 8"-12" - 200



36 Hudson Rd  
 Sudbury MA 01776



800-225-4616  
 www.tisales.com