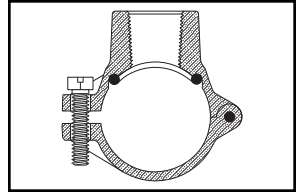
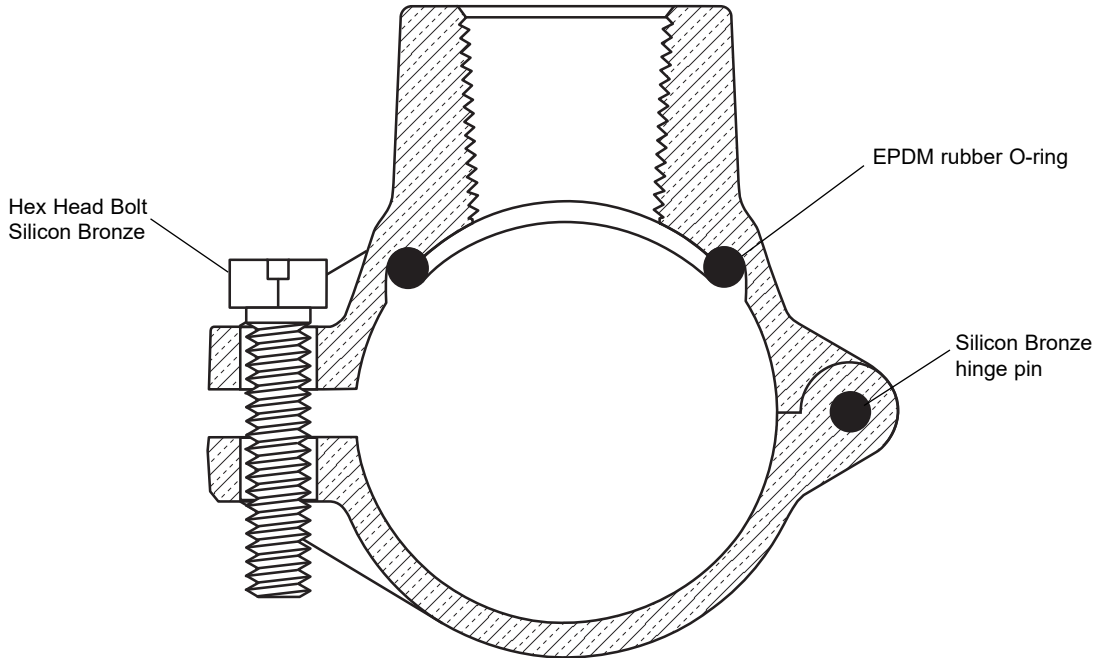


SUBMITTAL INFORMATION

Brass Saddle For 2" Copper - (S41-xxx style)



S41 BRASS SADDLE WITH IRON PIPE TAP FOR 2" COPPER TUBING



COPPER TUBE SIZE	ACTUAL TUBE O.D. (IN.)	IRON PIPE TAP SIZE	APPROX. WT. LBS.	CATALOG NUMBER	✓ SUBMITTED ITEM(S)
2"	2.13	1/2"	0.9	S41-201	
		3/4"	1.1	S41-203	
		1"	1.4	S41-204	

FEATURES

- All brass conforms to AWWA Standard C800 (ASTM B62 and ASTM B584, UNS NO C83600 - 85-5-5-5).
- Saddle body and strap permanently held together with silicon bronze pin.
- Bolt is 5/16" slotted hex head silicon bronze.
- O-ring is EPDM rubber per ASTM D2000
- 150 psi working pressure rating

The Ford Meter Box Company considers the information in this submittal form to be correct at the time of publication. Item and option availability, including specifications, are subject to change without notice. Please verify that your product information is current. Our standard warranty applies.



The Ford Meter Box Company, Inc.

P.O. Box 443, Wabash, Indiana U.S.A. 46992-0443

Phone: 260-563-3171 / Fax: 800-826-3487

Overseas Fax: 260-563-0167

www.fordmeterbox.com

06/09/20

Submitted By:



36 Hudson Rd
Sudbury MA 01776



800-225-4616
www.tisales.com