



SPECIFICATIONS

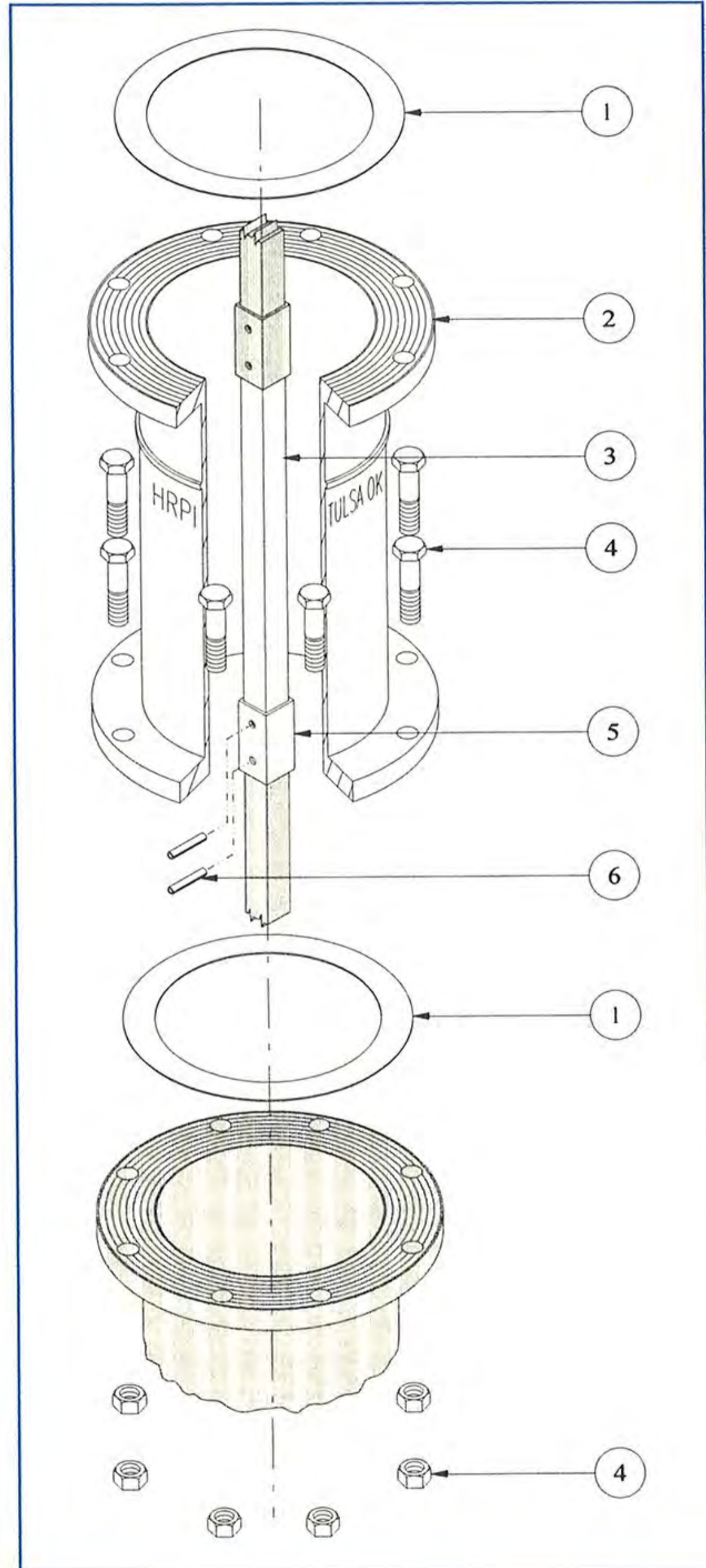
ITEM NUMBER	DESCRIPTION	MATERIAL	QTY.
1	Standpipe Gasket	Cloth-Inserted SBR Rubber	2
2	Extension Barrel	Ductile Iron	1
3	Extension Stem	Steel	1
4	Bolt & Nut	Zinc-Plated Steel	8
5	Extension Stem Coupling	Steel	1
6	Coupling Spring Pin	Stainless Steel	2

SIZE: 4" or 5" Main Valve Opening

HRPI Products are engineered and manufactured using the latest computerized technology to ensure quality products with repeatable tolerances.

HRPI Guarantees this product to be compatible, and will operate with the fire hydrant when installed properly. The use of this product shall not affect any published warranties available to the buyer.

PRODUCTS MEET OR EXCEED THE AWWA C502 STANDARD FOR DRY-BARREL FIRE HYDRANTS.



FAX: (918) 224-6857

Hydrant Repair Parts, Inc.

7900 New Sapulpa Road, Tulsa, OK 74131 • (918) 224-8713

1-800-776-8713 or 1-800-548-9123

Pacific States is a registered trademark of Pacific States Pipe Co., a division of McWane, Inc., Provo, Utah.
Hydrant Repair Parts, Inc., is not affiliated with Pacific States Pipe Co.