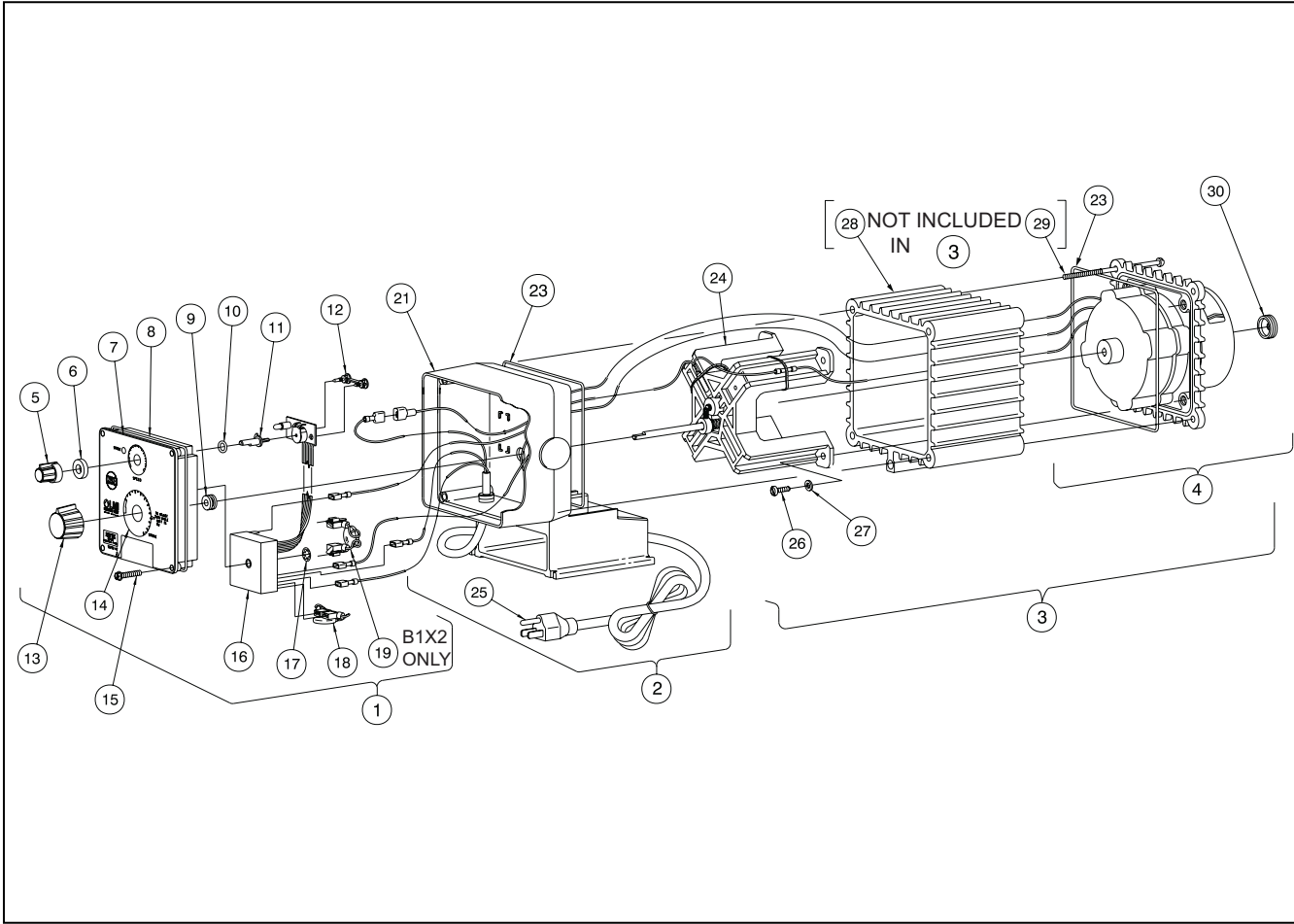


SERIES B1 DRIVE ASSEMBLY EXPLODED VIEW DIAGRAM



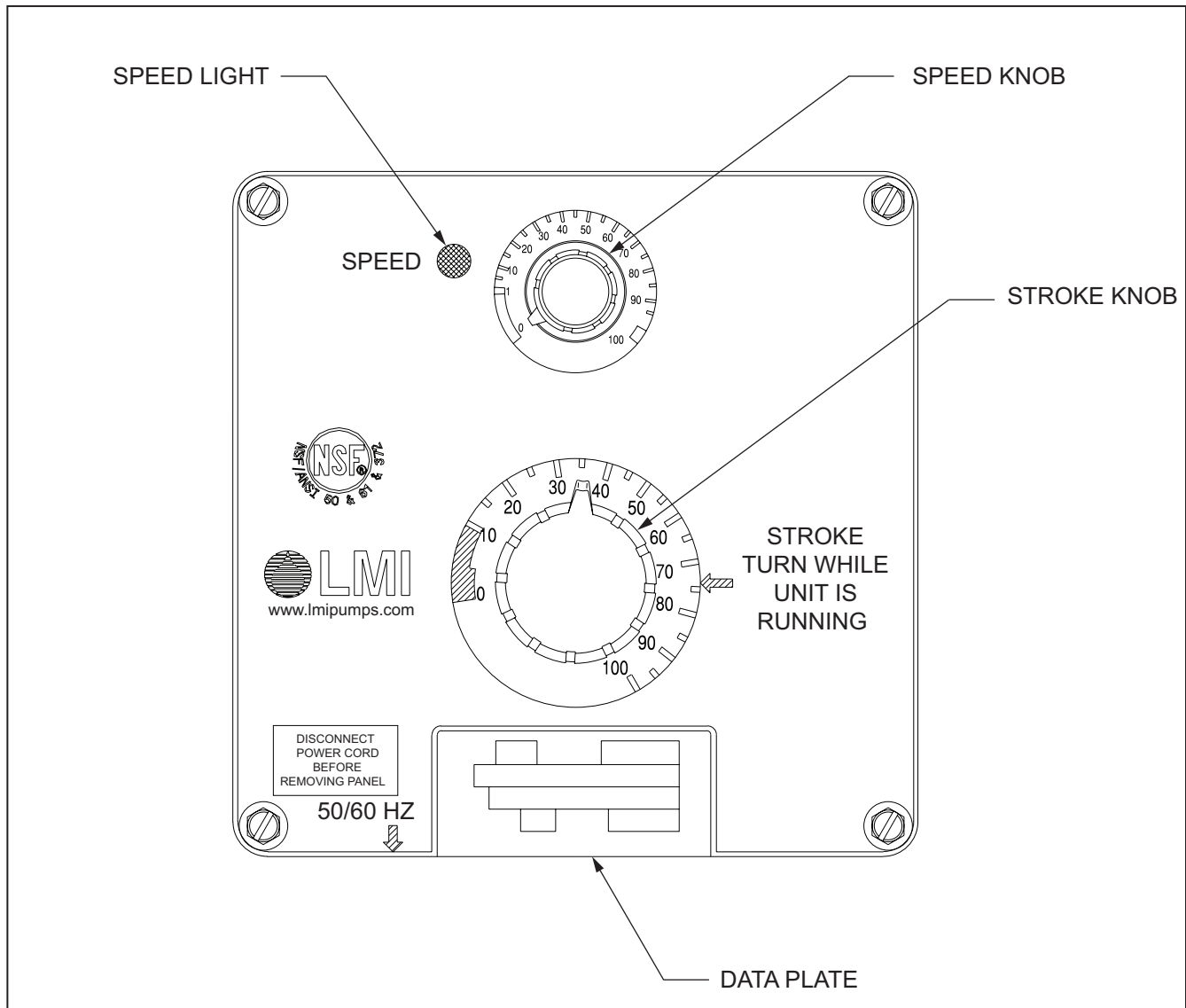
SERIES B1 DRIVE ASSEMBLY PARTS LIST

| Key Number | Model Series | Part Number | Description | Qty |
|------------|---|-------------|---|-----|
| 1 | B111 | 36234 | Control Panel Assembly, 115V | 1 |
| | B112 | 36235 | Control Panel Assembly, 230V US | 1 |
| | B113, B115, B116, B117 | 36236 | Control Panel Assembly, 230-250V | 1 |
| | B121, B131, B141 | 36229 | Control Panel Assembly, 115V | 1 |
| | B122, B132, B142 | 36230 | Control Panel Assembly, 230V US | |
| | B123, B133, B143, B125, B135, B145, B126, B136, B146, B127, B137, B147 | 36231 | Control Panel Assembly, 230-250V | 1 |
| 2 | B111, B121, B9131, B141 | 26087 | Housing Assembly, 115V | 1 |
| | B112, B122, B132, B142 | 26088 | Housing Assembly, 230V US | 1 |
| | B113, B123, B133, B143 | 26089 | Housing Assembly, 230V DIN | 1 |
| | B115, B125, B135, B145 | 26819 | Housing Assembly, 240V UK | 1 |
| | B116, B126, B136, B146 | 26820 | Housing Assembly, 250V AUST | 1 |
| | B117, B127, B137, B147 | 28256 | Housing Assembly, 230V SWISS | 1 |
| 3 | B111, B121 | 31927 | EPU & Spacer Assembly w/Stroke Adj., 115V, 0.9SI | 1 |
| | B112, B122, B113, B123, B115, B125, B116, B126 B117, B127 | 31928 | EPU & Spacer Assembly w/Stroke Adj., 230V, 0.9SI | 1 |
| | B131 | 31929 | EPU & Spacer Assembly w/Stroke Adj., 115V, 1.8SI | 1 |
| | B132, B133, B135, B136, B137 | 31930 | EPU & Spacer Assembly w/Stroke Adj., 230V, 1.8SI | 1 |
| | B141 | 31931 | EPU & Spacer Assembly w/Stroke Adj., 115V, 3.0SI | 1 |
| | B142, B143, B145, B146, B147 | 31932 | EPU & Spacer Assembly w/Stroke Adj., 230V, 3.0SI | 1 |
| 4 | B111, B121 | 26893 | EPU & Spacer Assembly, 115V, 0.9SI | 1 |
| | B112, B122, B113, B123, B115, B125, B116, B126, B117, B127 | 26894 | EPU & Spacer Assembly, 230V, 0.9SI | 1 |
| | B131 | 26897 | EPU & Spacer Assembly, 115V, 1.8SI | 1 |
| | B132, B133, B135, B136, B137 | 26898 | EPU & Spacer Assembly, 230V, 1.9SI | 1 |
| | B141 | 29618 | EPU & Spacer Assembly, 115V, 3.0SI | 1 |
| | B142, B143, B145, B146, B147 | 29619 | EPU & Spacer Assembly, 230V, 3.0SI | 1 |

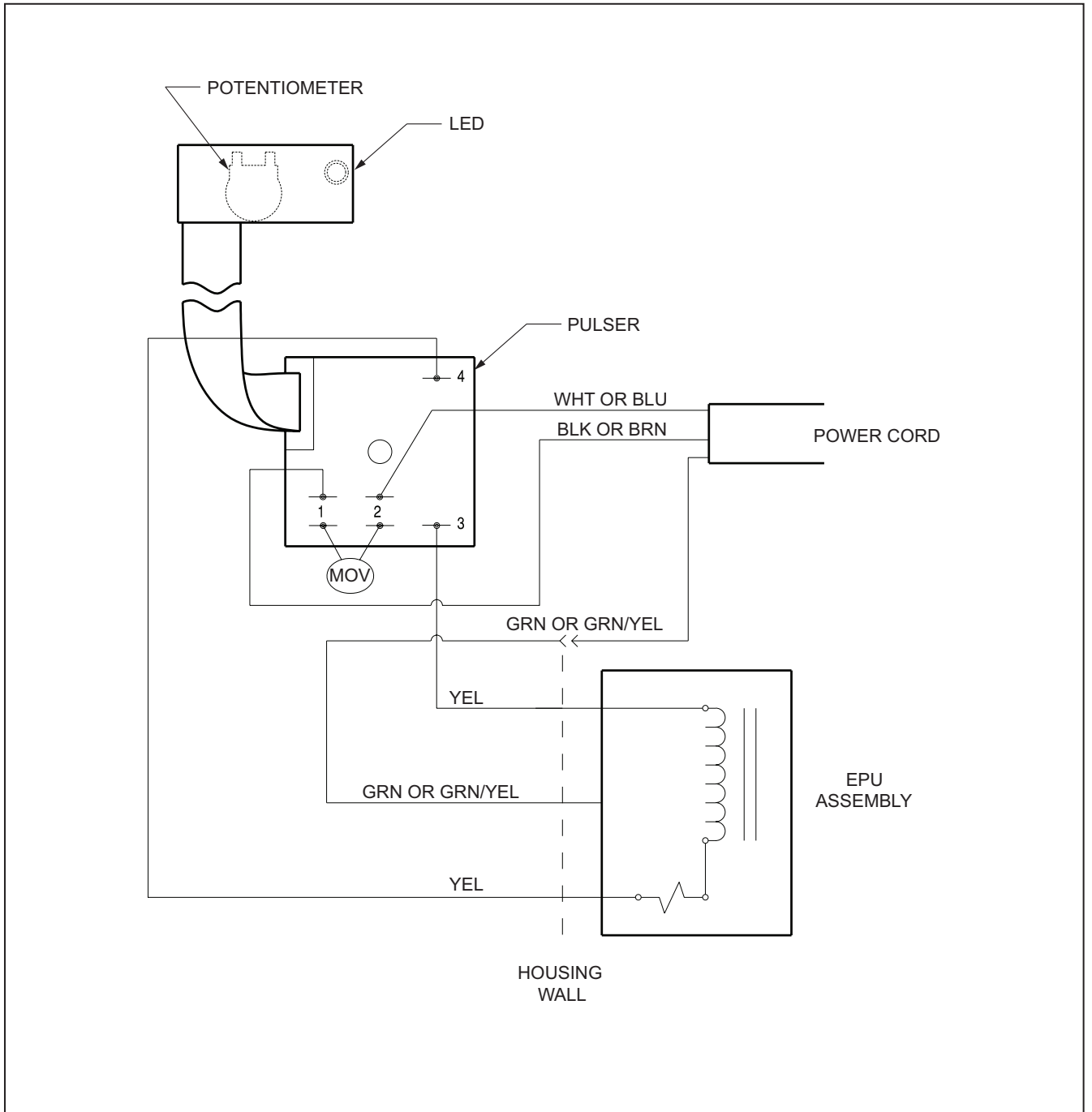
SERIES B1 DRIVE ASSEMBLY PARTS LIST

| Key Number | Model Series | Part Number | Description | Qty |
|------------|--|-------------|---------------------------------|-----|
| 5 | B1 | 30709 | Speed Knob | 1 |
| 6 | B1 | 30803 | Gasket | 1 |
| 7 | B1 | 36256 | Panel with Nameplate | 1 |
| 8 | B1 | 10166 | O-Ring | 1 |
| 9 | B1 | 10465 | Grommet | 1 |
| 10 | B1 | 34497 | O-Ring | 1 |
| 11 | B1 | 35743 | Speed Shaft | 1 |
| 12 | B1 | 35744 | Dual Pin | 1 |
| 13 | B1 | 31891 | Stroke Knob Assembly | 1 |
| 14 | B11 | 25882 | Stroke Dial | 1 |
| 15 | B1 | 30306 | Screw | 4 |
| 16 | B1 | 36255 | Pulser | 1 |
| 17 | B1 | 10422 | Retaining Ring | 1 |
| 18 | B111, B121, B131, B141 | 10626 | Varistor Assembly, 115V | 1 |
| | B112, B122, B132, B142, B113, B123, B133, B143, B115, B125, B135, B145, B116, B126, B136, B146, B117, B127, B137, B147 | 10627 | Varistor Assembly, 230-250V | |
| 19 | B112, B122, B132, B142 | 25268 | Power Cord, 230V US | 1 |
| 21 | B1 | 35398 | Housing | 1 |
| 23 | B1 | 35269 | O-Ring | 2 |
| 24 | B1 | 31898 | Stroke Adjustment Assembly | 1 |
| 25 | B111, B121, B131, B141 | 26293 | Power Cord Assembly, 115V | 1 |
| | B112, B122, B132, B142 | 26296 | Power Cord Assembly, 230V US | 1 |
| | B113, B123, B133, B143 | 26297 | Power Cord Assembly, 230V DIN | 1 |
| | B115, B125, B135, B145 | 26817 | Power Cord Assembly, 240V UK | 1 |
| | B116, B126, B136, B146 | 26818 | Power Cord Assembly, 250V AUST | 1 |
| | B117, B127, B137, B147 | 27701 | Power Cord Assembly, 230V SWISS | 1 |
| 26 | B1 | 10598 | Screw, 10-24X0.62 SS | 4 |
| 27 | B1 | 10415 | Washer, Conical | 4 |
| 28 | B1 | 25068 | EPU Sleeve | 1 |
| 29 | B1 | 25127 | Screw, 10-24X4.5 SS | 4 |
| 30 | B1 | 10973 | Seal | 1 |

SERIES B1 CONTROL PANEL DETAIL



SERIES B1 WIRING DIAGRAM



We are a proud member of Accudyne Industries, a leading global provider of precision-engineered, process-critical, and technologically advanced flow control systems and industrial compressors. Delivering consistently high levels of performance, we enable customers in the most important industries and harshest environments around the world to accomplish their missions.



LMI® is a registered trademark of Milton Roy, LLC.
© 1998, 2015 Milton Roy, LLC.
Specification to change without notice.

info@lmipumps.com
www.lmipumps.com

