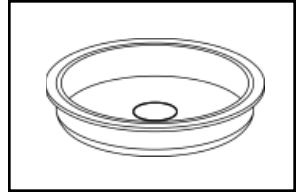
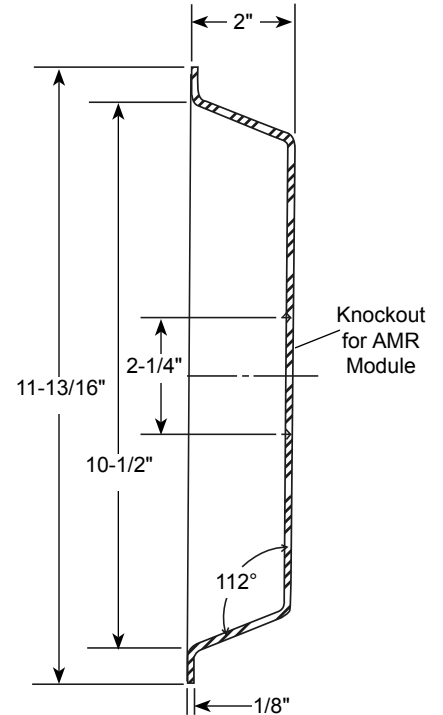
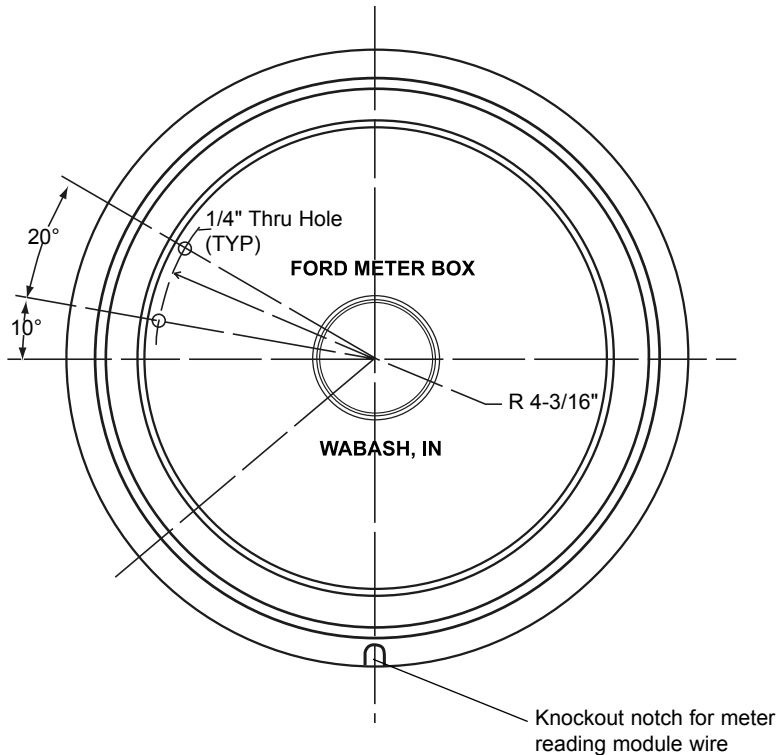


SUBMITTAL INFORMATION

Plastic Inner Lid - (W3BPD style)



PLASTIC INNER LID FOR WABASH COVER - DISH TYPE



LID SIZE	DESCRIPTION	APROX. WT. LBS.	CATALOG No.	SUBMITTED ITEM(S)
11-1/2"	Recessed Plastic Inner Lid	0.7	W3BPD	

FEATURES

- Black High Impact Polystyrene Plastic.
- Two, 1/4" holes provide drainage and also provides a means for attaching a handle.
- Dish-type design allows additional space for meter reading module between top lid and inner lid.
- Inner lid knock out allows meter reading module attachment.
- Reverse positioning of dish-type design inner lid allows to raise the meter reading module 2" closer to grade level.

The Ford Meter Box Company considers the information in this submittal form to be correct at the time of publication. Item and option availability, including specifications, are subject to change without notice. Please verify that your product information is current.



The Ford Meter Box Company, Inc.

P.O. Box 443, Wabash, Indiana U.S.A. 46992-0443

Phone: 260-563-3171 / Fax: 800-826-3487

Overseas Fax: 260-563-0167

<http://www.fordmeterbox.com>

09/30/04



36 Hudson Rd
Sudbury MA 01776



800-225-4616
www.tisales.com