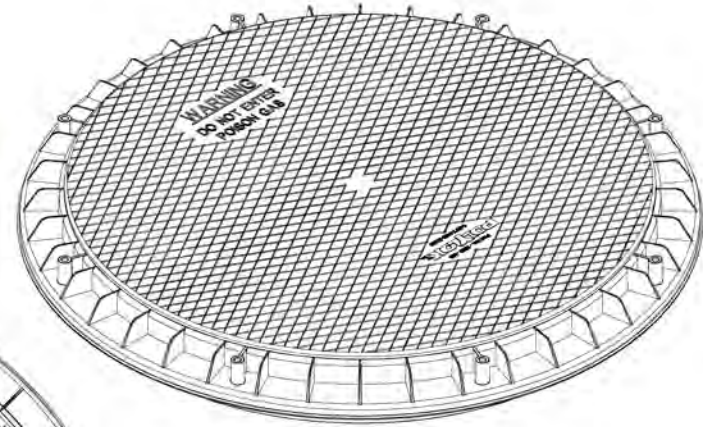
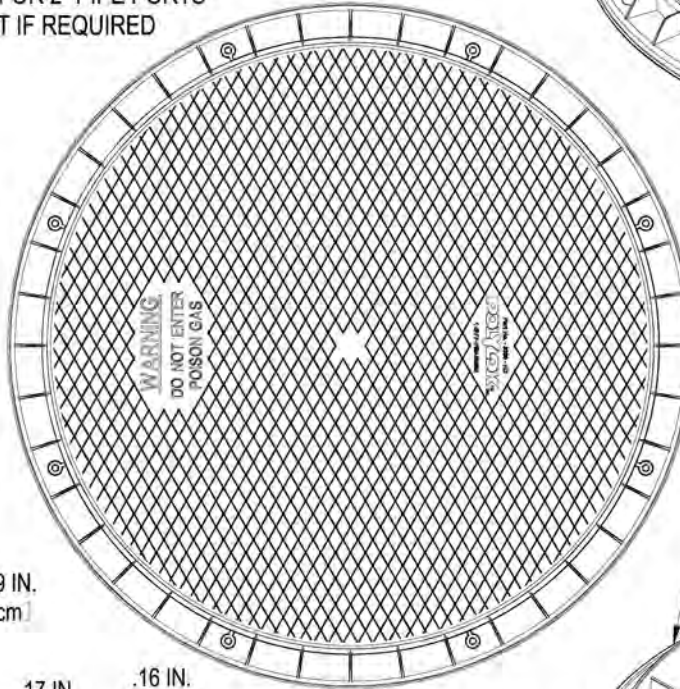
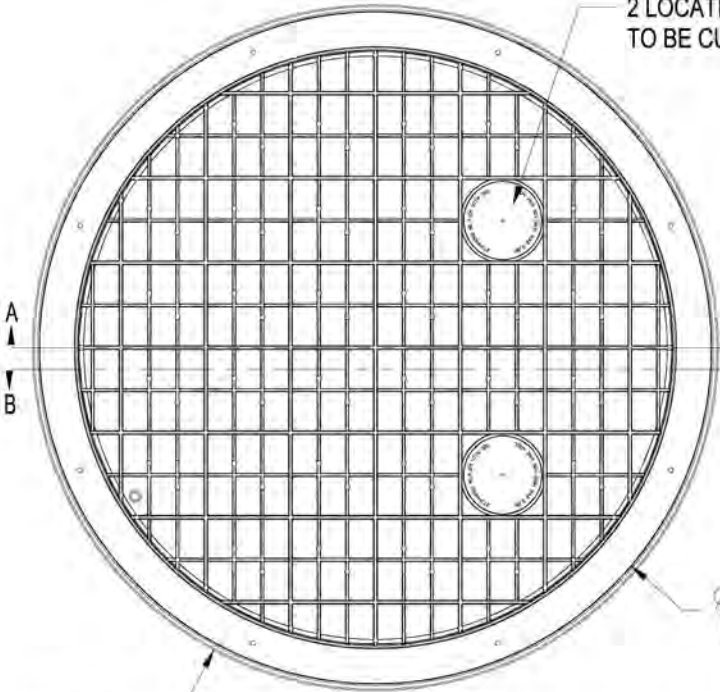




SECTION A-A



2 LOCATIONS FOR 2" PIPE PORTS
TO BE CUTOUT IF REQUIRED



BOTTOM DETAIL FITS POLYLOK
PART NO. - 3008

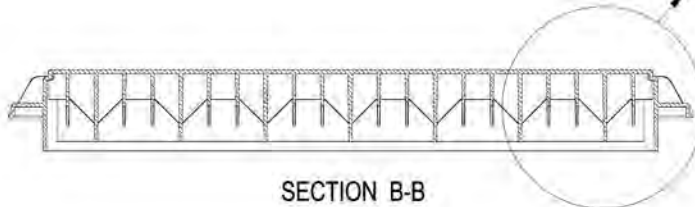
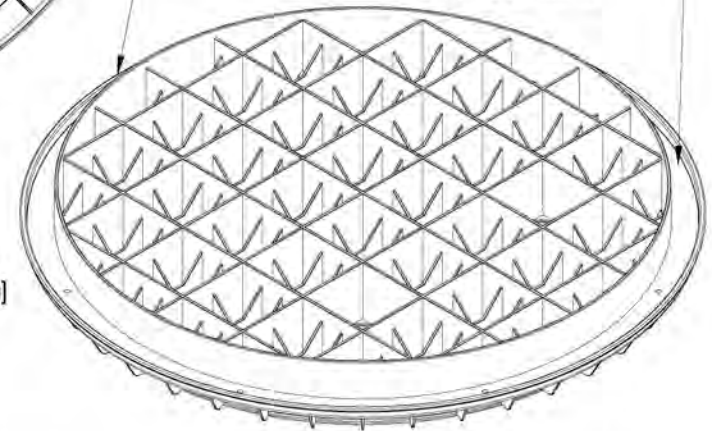
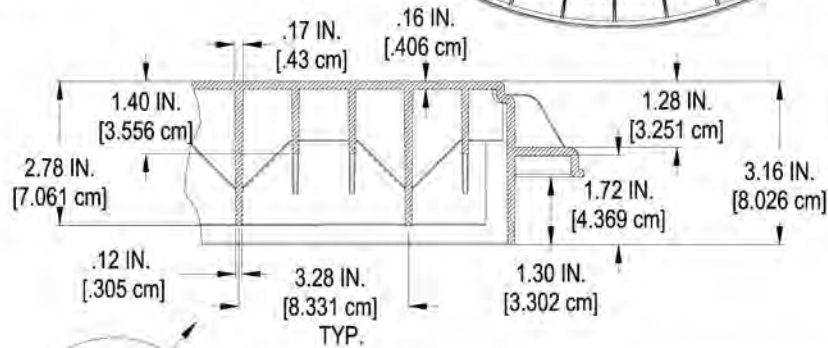
- 3008-R12
- 3008-R12B
- 3009-AR
- 3009-RTR24
- 3008-RP

AND ALL 24" SMOOTH WALL
CORRUGATED AND RIBBED PIPE

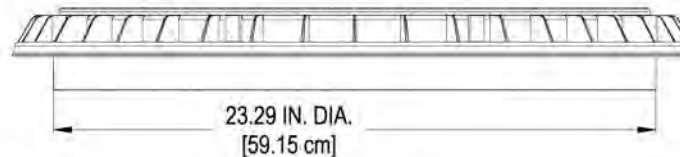
EPDM FOAM GASKET
INSTALLED HERE

Ø26.52 IN.
[67.4 cm]

Ø25.99 IN.
[66.0 cm]



SECTION B-B



23.29 IN. DIA.
[59.15 cm]

POLYLOK 24" HEAVY COVER
PART NO. 3008-HD
MATERIAL - HDPE
COLOR - GREEN