

EXTENSION KITS  
FOR



MUELLER SUPER-200, CENTURION,  
AND IMPROVED NEW STYLE FIRE HYDRANTS

## SPECIFICATIONS

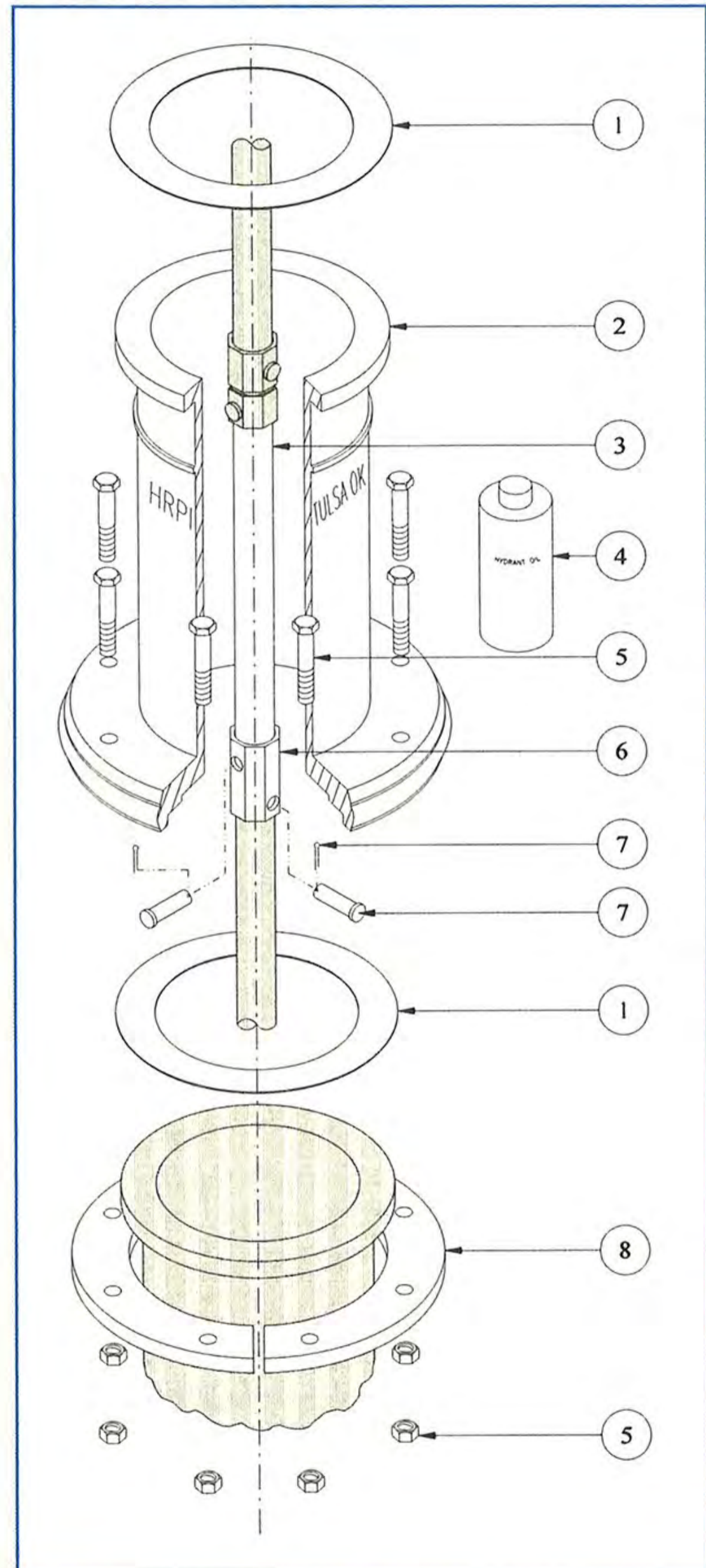
ITEM NUMBER	DESCRIPTION	MATERIAL	QTY.
1	Flange Gasket	Cloth-Inserted SBR Rubber	2
2	Extension Barrel	Ductile Iron	1
3	Extension Stem	Steel	1
4	Hydrant Lubricant	FDA Approved Mineral Oil	1
5	Bolt & Nut	Zinc-Plated Steel	8
6	Extension Stem Coupling	Stainless Steel	1
7	Cotter & Clevis Pin	Stainless Steel	2
8	Extension Flange (SET)	Ductile Iron	1
9	Bonnet Gasket (Not Shown)	Cloth-Inserted SBR Rubber	1

SIZE: 4½" or 5¼" Main Valve Opening

HRPI Products are engineered and manufactured using the latest computerized technology to ensure quality products with repeatable tolerances.

HRPI Guarantees this product to be compatible, and will operate with the fire hydrant when installed properly. The use of this product shall not affect any published warranties available to the buyer.

PRODUCTS MEET OR EXCEED THE AWWA C502 STANDARD FOR DRY-BARREL FIRE HYDRANTS.



FAX: (918) 224-6857

# Hydrant Repair Parts, Inc.

7900 New Sapulpa Road, Tulsa, OK 74131 • (918) 224-8713

1-800-776-8713 or 1-800-548-9123

## SPECIFICATIONS

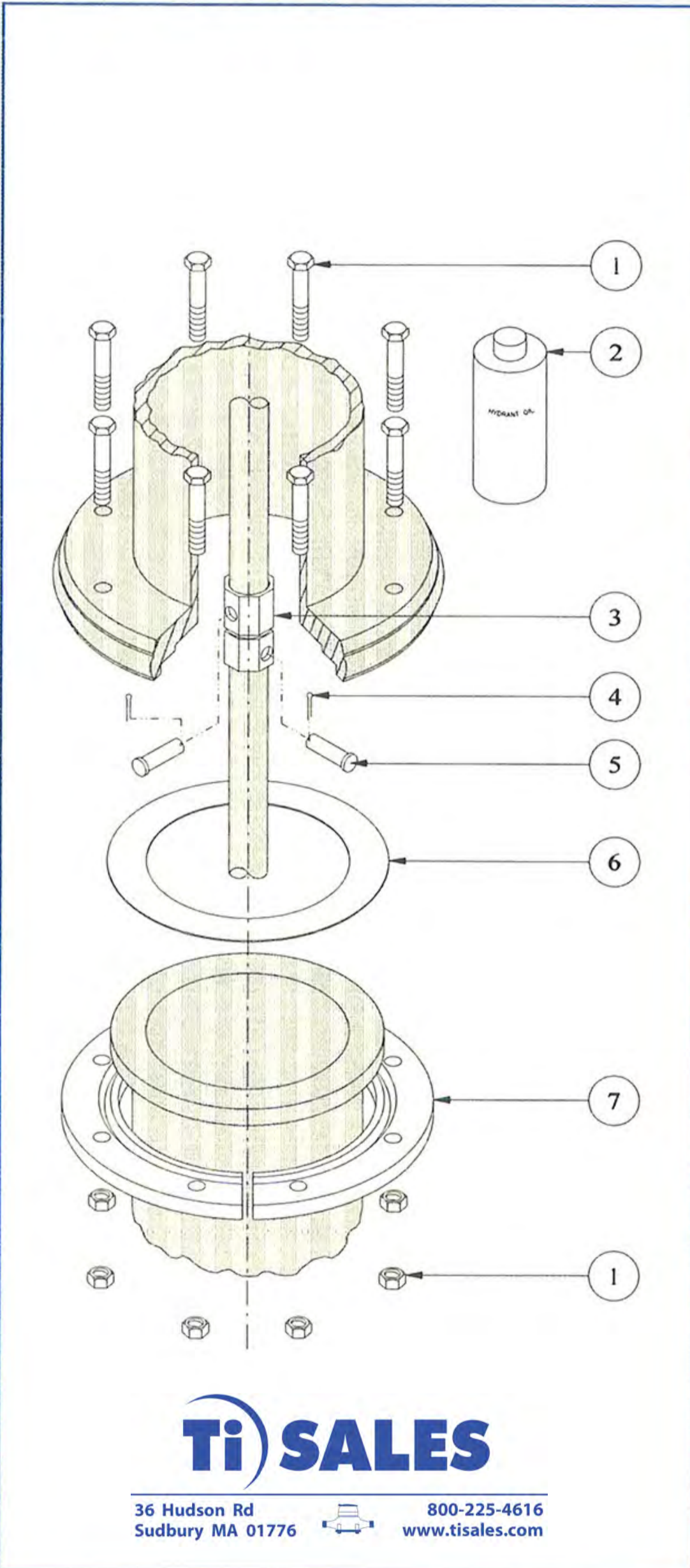
ITEM NUMBER	DESCRIPTION	MATERIAL	QTY.
1	Bolt & Nut	Zinc-Plated Steel	8
2	Hydrant Lubricant	FDA Approved Mineral Oil	1
3	Safety Stem Coupling	Stainless Steel	1
4	Cotter Pin	Stainless Steel	2
5	Clevis Pin	Stainless Steel	2
6	Flange Gasket	Cloth-Inserted SBR Rubber	1
7	Breakable Safety Flange (SET)	Cast Iron	1
8	Bonnet Gasket (Not Shown)	Cloth-Inserted SBR Rubber	1

SIZE: 4½" or 5¼" Main Valve Opening

HRPI Products are engineered and manufactured using the latest computerized technology to ensure quality products with repeatable tolerances.

HRPI Guarantees this product to be compatible, and will operate with the fire hydrant when installed properly. The use of this product shall not affect any published warranties available to the buyer.

PRODUCTS MEET OR EXCEED THE AWWA C502 STANDARD FOR DRY-BARREL FIRE HYDRANTS.



**Ti SALES**

36 Hudson Rd  
Sudbury MA 01776  800-225-4616  
www.tisales.com



FAX: (918) 224-6857

**Hydrant Repair Parts, Inc.**

7900 New Sapulpa Road, Tulsa, OK 74131 • (918) 224-8713

1-800-776-8713 or 1-800-548-9123

Mueller is a registered trademark of Mueller Co., Decatur, Illinois.  
Hydrant Repair Parts, Inc., is not affiliated with Mueller Co.