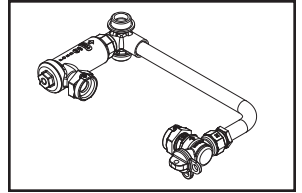


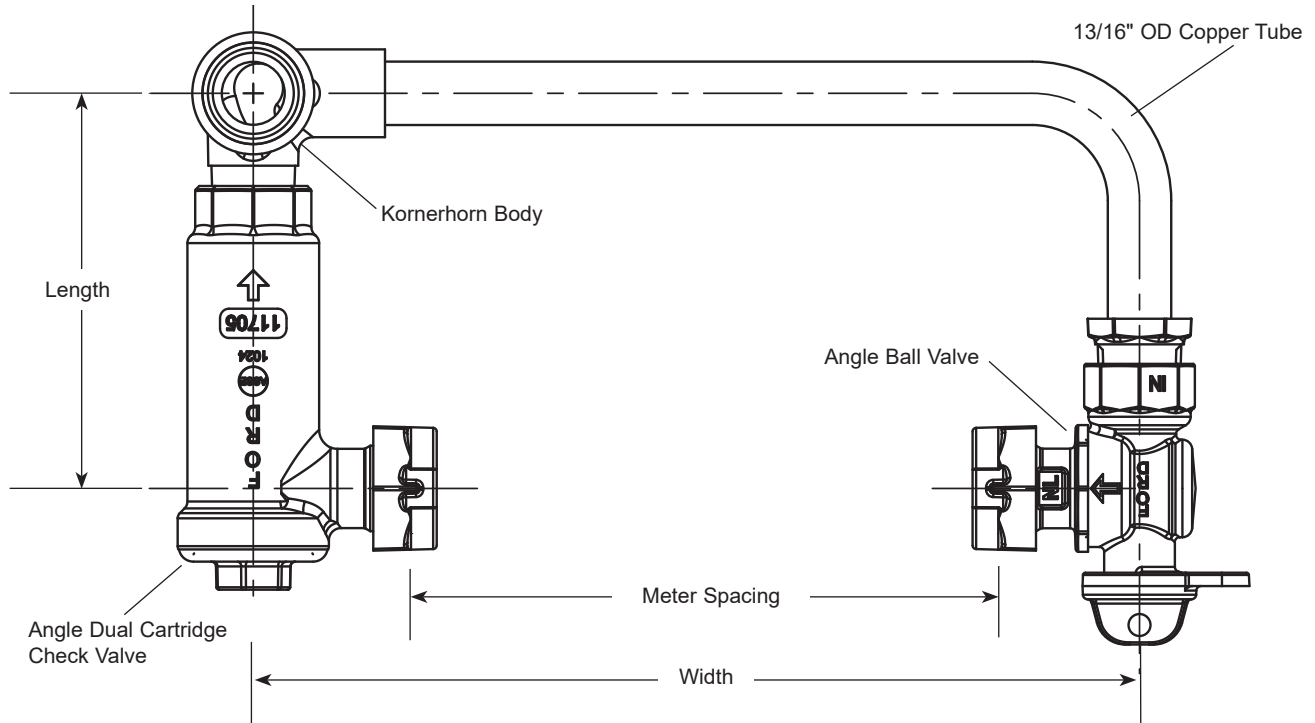
SUBMITTAL INFORMATION

Kornerhorn with Integral Valves - (KHVBHC-x-NL style)



BALL VALVE INLET BY DUAL CARTRIDGE CHECK VALVE OUTLET (5/8" OR 5/8" X 3/4" METER)

WITHOUT SERVICE LINE CONNECTIONS



METER SIZE	METER SPACING	APPROX. LENGTH	APPROX. WIDTH	APPROX. WT. LBS.	CATALOG NUMBER	✓ SUBMITTED ITEM(S)
5/8"	7-1/2"	5-1/16"	11-9/32"	4.3	KHVBHC-1-NL	
5/8" x 3/4"	7-1/2"	5-1/16"	11-9/32"	5.0	KHVBHC-2-NL	

FEATURES

- All brass that comes in contact with potable water conforms to AWWA Standard C800 (ASTM B584, UNS C89833)
- The product has the letters "NL" cast into the main body for lead-free identification
- Brass components that do not come in contact with potable water conform to AWWA Standard C800 (ASTM B62 and ASTM B584, UNS C83600, 85-5-5-5)
- Copper conforms to ASTM B75 or B88, UNS C12200
- Kornerhorns automatically ensure proper spacing and orientation for meters.
- Permanent electrical bonding is provided without straps.
- Copper tubing with full diameter bends provides excellent flow capacity.
- Two pack joint assemblies required to connect to service line - order separately.
- ASSE 1024 approved dual cartridge check valve

The Ford Meter Box Company considers the information in this submittal form to be correct at the time of publication. Item and option availability, including specifications, are subject to change without notice. Please verify that your product information is current.



The Ford Meter Box Company, Inc.

P.O. Box 443, Wabash, Indiana U.S.A. 46992-0443

Phone: 260-563-3171 / Fax: 800-826-3487

Overseas Fax: 260-563-0167

www.fordmeterbox.com

07/02/19

Submitted By:



36 Hudson Rd
Sudbury MA 01776



800-225-4616
www.tisales.com