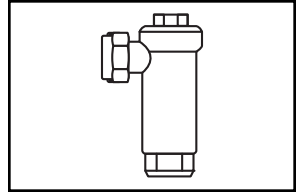
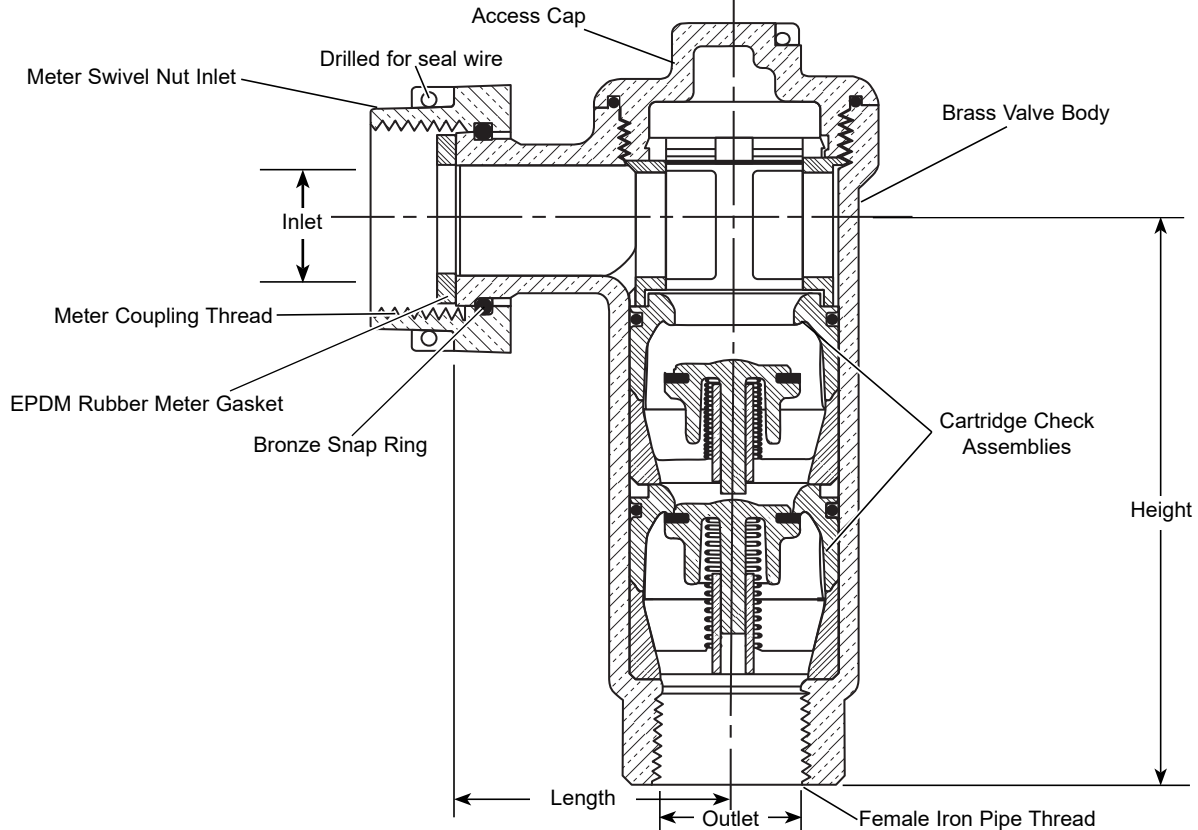


SUBMITTAL INFORMATION

Angle Cartridge Dual Check Valve - (HHCA31-xxx-NL style)



METER SWIVEL NUT INLET BY FEMALE IRON PIPE OUTLET



VALVE SIZE	METER INLET SIZE	OUTLET SIZE	LENGTH	HEIGHT	APPROX. Wt. LBS	PART NUMBER	✓ SUBMITTED ITEM(S)
3/4"	5/8"	3/4"	1-7/8"	3-7/8"	1.7	HHCA31-313-NL	
3/4"	5/8" x 3/4" & 3/4"	3/4"	1-7/8"	3-7/8"	1.8	HHCA31-323-NL	
3/4"	1"	1"	2-1/16"	3-7/8"	2.0	HHCA31-344-NL	
1"	1"	1"	2-5/16"	4"	3.1	HHCA31-444-NL	

FEATURES

- All brass that comes in contact with potable water conforms to AWWA Standard C800 (ASTM B584, UNS C89833)
- The product has the letters "NL" cast into the main body for lead-free identification
- Certified to NSF/ANSI Standard 61 and NSF/ANSI Standard 372 where applicable
- Brass components that do not come in contact with potable water conform to AWWA Standard C800 (ASTM B62 and ASTM B584, UNS C83600, 85-5-5-5)
- ASSE 1024 approved
- In-line accessible for quick inspection and replacement of internal working parts without removing the valve from the service line. Replacement kits are available.
- 175 PSI maximum working water pressure
- 180 degree Fahrenheit maximum constant temperature
- Conforms to AWWA C700 for meter threads

The Ford Meter Box Company considers the information in this submittal form to be correct at the time of publication. Item and option availability, including specifications, are subject to change without notice. Please verify that your product information is current.



The Ford Meter Box Company, Inc.

P.O. Box 443, Wabash, Indiana U.S.A. 46992-0443
 Phone: 260-563-3171 / Fax: 800-826-3487
 Overseas Fax: 260-563-0167
 www.fordmeterbox.com

09/19/16

Submitted By:



36 Hudson Rd
 Sudbury MA 01776



800-225-4616
 www.tisales.com