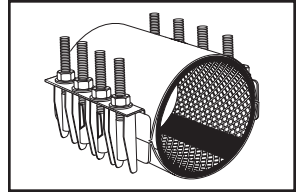
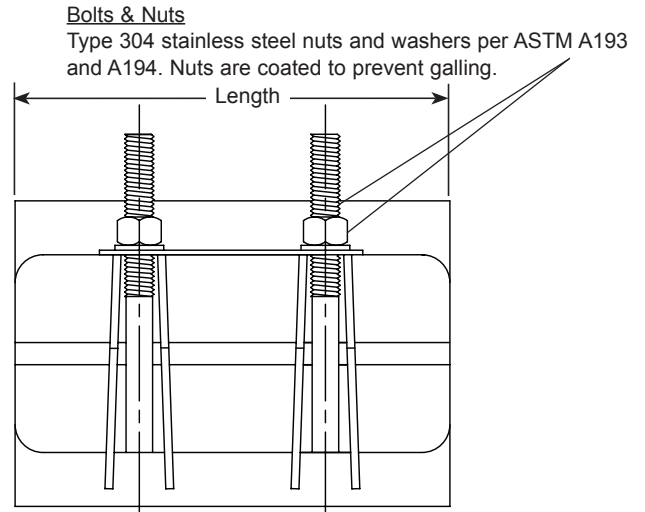
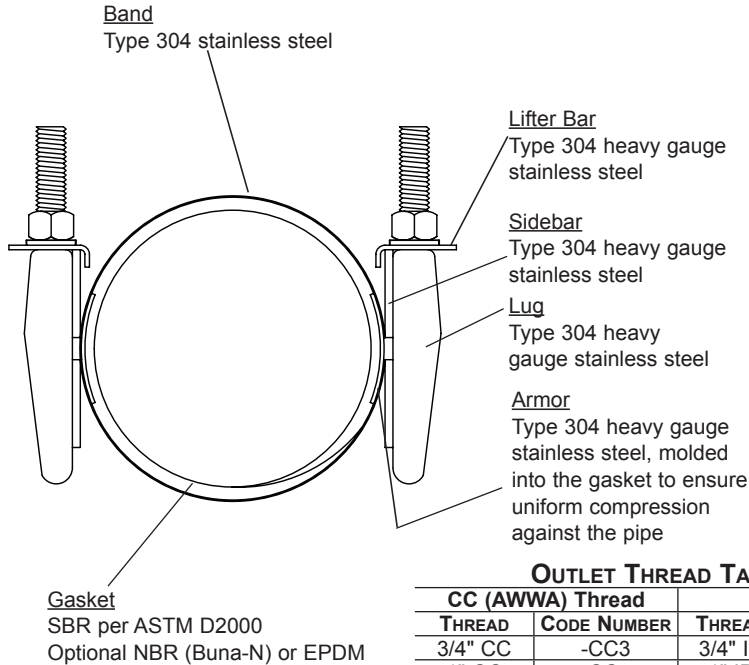


# SUBMITTAL INFORMATION

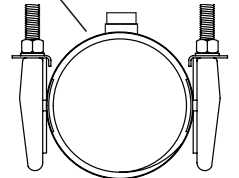
## Repair Clamps - (FS2-xxxx-Length style)



### 10" TO 16" TWO SECTION WIDER RANGE ALL STAINLESS STEEL REPAIR CLAMPS



**Optional Stainless Taps**  
Type 304 stainless steel tap TIG welded to band. Available with AWWA, or I.P. threads.



#### OUTLET THREAD TAP CODE

CC (AWWA) Thread		IP Thread	
THREAD	CODE NUMBER	THREAD	CODE NUMBER
3/4" CC	-CC3	3/4" IP	-IP3
1" CC	-CC4	1" IP	-IP4
1-1/4" CC	-CC5	1-1/4" IP	-IP5
1-1/2" CC	-CC6	1-1/2" IP	-IP6
2" CC	-CC7	2" IP	-IP7

NOM. PIPE SIZE	PIPE O.D. RANGE (IN.)	LENGTH AND APPROXIMATE WEIGHT (LBS.)						BOLT SIZE	BAND THICKNESS	CATALOG NUMBER	✓ SUBMITTED ITEM(S)
		10"	12.5"	15"	20"	24"	30"				
10"	10.70 - 11.50							5/8" UNC	20 GA.	FS2-1150-Length	
	11.04 - 11.84	18	23	32	41	50	54			FS2-1184-Length	
	11.60 - 12.40									FS2-1240-Length	
12"	12.70 - 13.50									FS2-1350-Length	
	13.14 - 13.94	19	25	34	44	54	57			FS2-1394-Length	
	13.65 - 14.45									FS2-1445-Length	
14"	15.07 - 15.82	20	27	36	47	58	63			FS2-1582-Length	
	15.58 - 16.38									FS2-1638-Length	
	15.87 - 16.67									FS2-1667-Length	
16"	15.61 - 17.31									FS2-1731-Length	
	17.15 - 17.90	22	29	38	50	62	66			FS2-1790-Length	
	17.20 - 18.00									FS2-1800-Length	
	18.41 - 19.21							FS2-1921-Length			
Number of Bolts		6	8	8	12	14	18				

#### FEATURES

- Gasket is SBR per ASTM D2000. NBR (Buna-N) and EPDM are available.
- Optional outlet taps are available for repair of service line pull-outs. Add tap code to end of catalog number. Example: FS2-1350-125-IP4
- All welds are fully passivated to restore the corrosion resistant characteristics of the stainless steel
- Complies with ANSI/AWWA C230 and certified to ANSI/NSF Standard 61

The Ford Meter Box Company considers the information in this submittal form to be correct at the time of publication. Item and option availability, including specifications, are subject to change without notice. Please verify that your product information is current. Our standard warranty applies.



**The Ford Meter Box Company, Inc.**  
P.O. Box 443, Wabash, Indiana U.S.A. 46992-0443  
Phone: 260-563-3171 / Fax: 800-826-3487  
Overseas Fax: 260-563-0167  
www.fordmeterbox.com

01/16/20

Submitted By:



36 Hudson Rd  
Sudbury MA 01776



800-225-4616  
www.tisales.com