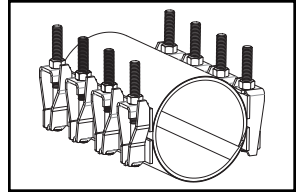
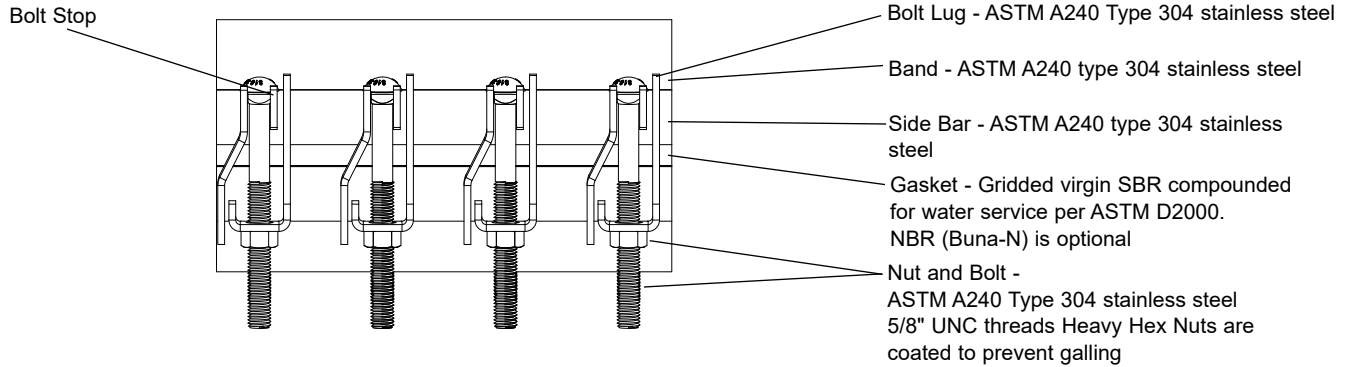


# SUBMITTAL INFORMATION

## Repair Clamps - (FLS2-xxxx-Length style)



### 10" TO 16" TWO SECTION ALL STAINLESS STEEL CIRCLE REPAIR CLAMPS



#### OPTIONAL OUTLET THREAD TAP CODE

CC (AWWA) Thread		IP Thread	
THREAD	CODE NUMBER	THREAD	CODE NUMBER
3/4" CC	-CC3	3/4" IP	-IP3
1" CC	-CC4	1" IP	-IP4
1-1/4" CC	-CC5	1-1/4" IP	-IP5
1-1/2" CC	-CC6	1-1/2" IP	-IP6
2" CC	-CC7	2" IP	-IP7

NOM. PIPE SIZE	PIPE O.D. RANGE	LENGTH AND APPROXIMATE WEIGHT (LBS.)						BOLT SIZE	BAND THICKNESS	CATALOG NUMBER	✓ SUBMITTED ITEM(S)
		10"	12.5"	15"	20"	24"	30"				
10"	10.70 - 11.50	18	23	32	41	50	54	5/8" UNC	20 GA.	FLS2-1150-Length	
	11.04 - 11.84									FLS2-1184-Length	
	11.60 - 12.40									FLS2-1240-Length	
12"	12.70 - 13.50	19	25	34	44	54	57			FLS2-1350-Length	
	13.14 - 13.94									FLS2-1394-Length	
	13.65 - 14.45									FLS2-1445-Length	
14"	15.07 - 15.82	20	27	36	47	58	63			FLS2-1582-Length	
16"	17.15 - 17.90	22	29	38	50	62	66			FLS2-1790-Length	
Number of Bolts		6	8	8	12	14	18				

#### FEATURES

- Gasket is SBR per ASTM D2000. NBR (Buna-N) gasket is available; add "-N" to end of catalog number
- All welds are fully passivated to restore corrosion resistant characteristics of stainless steel
- Conductivity strips are available; add "-CS" to end of catalog number
- Optional stainless steel outlet taps are available for repair of service line pull-outs. Add tap code to end of catalog number. Example: FLS2-1350-125-IP4

The Ford Meter Box Company considers the information in this submittal form to be correct at the time of publication. Item and option availability, including specifications, are subject to change without notice. Please verify that your product information is current.



**The Ford Meter Box Company, Inc.**  
 P.O. Box 443, Wabash, Indiana U.S.A. 46992-0443  
 Phone: 260-563-3171 / Fax: 800-826-3487  
 Overseas Fax: 260-563-0167  
 www.fordmeterbox.com

06/14/18

Submitted By:



36 Hudson Rd  
 Sudbury MA 01776



800-225-4616  
 www.tisales.com