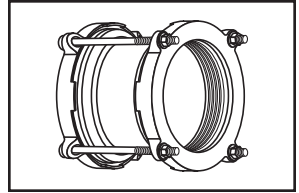
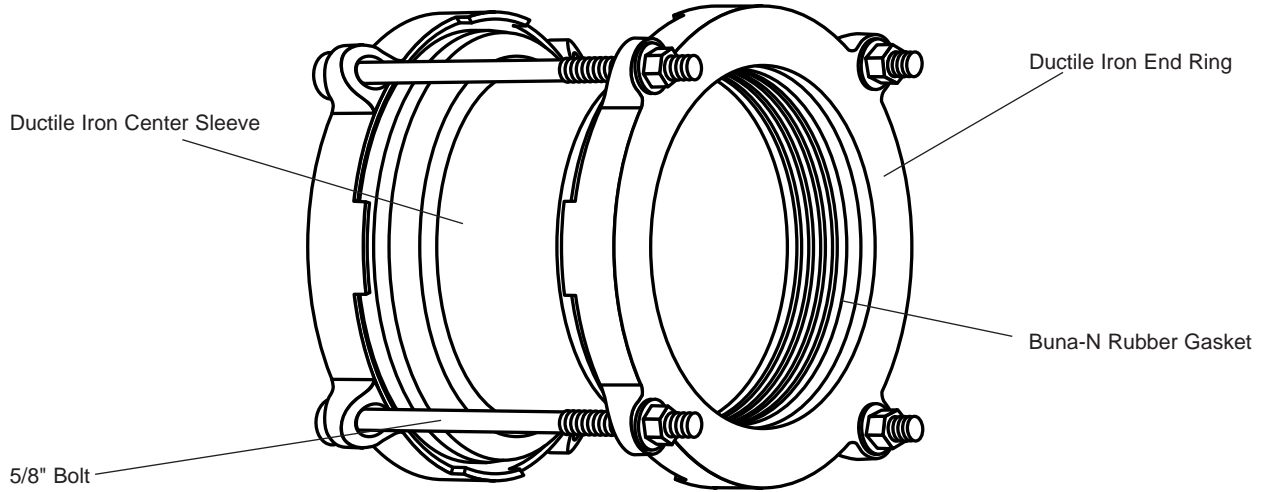


SUBMITTAL INFORMATION

Ductile Iron Wide Range Transition Coupling - (FC2W-xx style)



3" - 16" STYLE FC2W COUPLINGS FOR JOINING PIPES WITH VARIOUS O.D.'S



NOMINAL PIPE SIZE	RANGE (INCHES)	RANGE (MM)	BOLT DIAMETER	NUMBER OF BOLTS	SLEEVE LENGTH	APPROX. WT. LBS	PART NUMBER	✓ SUBMITTED ITEM(S)
3"	2.50 - 4.29	63.5 - 109.0	5/8"	3	7"	27	FC2W-3	
4"	3.96 - 5.60	100.6 - 142.2	5/8"	4	7"	35	FC2W-4	
6"	6.23 - 7.60	158.2 - 193.0	5/8"	4	7"	44	FC2W-6	
8"	8.40 - 9.75	213.3 - 247.6	5/8"	4	7"	52	FC2W-8	
10"	10.75 - 12.12	273.0 - 307.8	5/8"	6	9"	85	FC2W-10	
12"	12.75 - 14.38	323.8 - 365.2	5/8"	6	9"	97	FC2W-12	
16"	16.00 - 17.80	406.4 - 452.12	5/8"	8	10"	135	FC2W-16	

Pipes smaller than the published range may be joined using the FC2W coupling at a reduced pressure rating. Contact Ford Meter Box for details.

FEATURES

- Center Sleeve: Ductile iron per ASTM A536 Grade 65-45-12
- End Rings: Ductile iron per ASTM A536 Grade 65-45-12
- Bolts and nuts: High strength low alloy steel per ASTM A242 and AWWA C111
Bolts have an oval neck beneath the head which rests within the end ring to prevent bolts from rotating while tightening.
Optional stainless steel bolts and nuts are available
- Coating: Black, fusion bonded epoxy applied per AWWA C213
- Gasket: Buna-N rubber per ASTM D2000, EPDM is available
- Pressure Rating: 350 psi rated working water pressure in sizes 3" through 12"
250 psi rated working water pressure in 16"
- NSF 61 approved
- Complies with AWWA C219

The Ford Meter Box Company considers the information in this submittal form to be correct at the time of publication. Item and option availability, including specifications, are subject to change without notice. Please verify that your product information is current.



The Ford Meter Box Company, Inc.

P.O. Box 443, Wabash, Indiana U.S.A. 46992-0443

Phone: 260-563-3171 / Fax: 800-826-3487

Overseas Fax: 260-563-0167

www.fordmeterbox.com

01/19/15

Submitted By:

Ti SALES

36 Hudson Rd
Sudbury MA 01776



800-225-4616
www.tisales.com