

EXTENSION KIT
FOR



EAST JORDAN BR MIDWEST
FIRE HYDRANTS

Ti SALES

36 Hudson Rd
Sudbury MA 01776



800-225-4616
www.tisales.com

SPECIFICATIONS

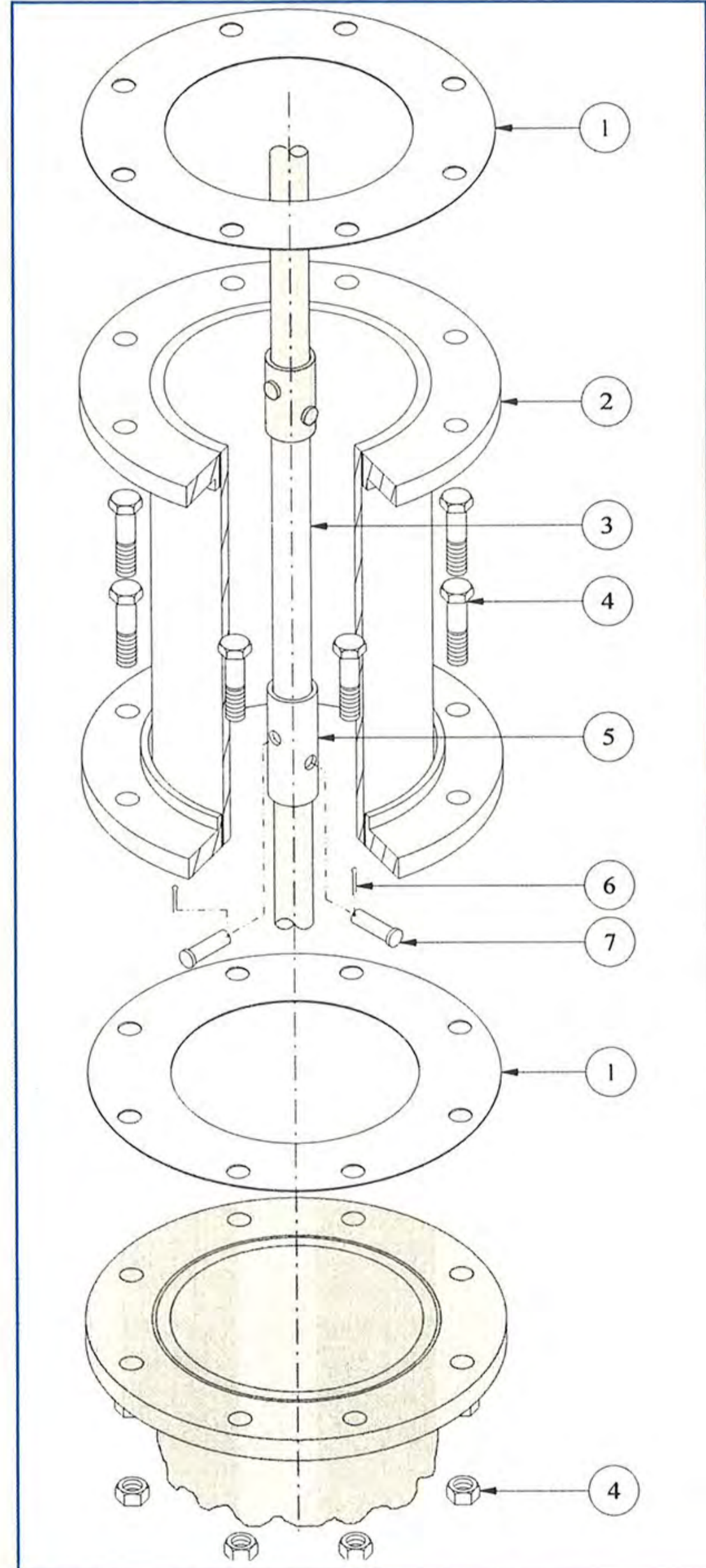
ITEM NUMBER	DESCRIPTION	MATERIAL	QTY.
1	Standpipe Gasket	Cloth-Inserted SBR Rubber	2
2	Extension Barrel	Ductile Iron	1
3	Extension Stem	Steel	1
4	Bolt & Nut	Zinc-Plated Steel	8
5	Extension Stem Coupling	Steel	1
6	Cotter Pin	Stainless Steel	2
7	Clevis Pin	Stainless Steel	2

SIZE: 5 1/4" Main Valve Opening

HRPI Products are engineered and manufactured using the latest computerized technology to ensure quality products with repeatable tolerances.

HRPI Guarantees this product to be compatible, and will operate with the fire hydrant when installed properly. The use of this product shall not affect any published warranties available to the buyer.

PRODUCTS MEET OR EXCEED THE AWWA C502 STANDARD FOR DRY-BARREL FIRE HYDRANTS.



FAX: (918) 224-6857

Hydrant Repair Parts, Inc.

7900 New Sapulpa Road, Tulsa, OK 74131 • (918) 224-8713

1-800-776-8713 or 1-800-548-9123

East Jordan is a registered trademark of East Jordan Iron Works, Inc., East Jordan, Michigan.
Hydrant Repair Parts, Inc., is not affiliated with East Jordan Iron Works, Inc.