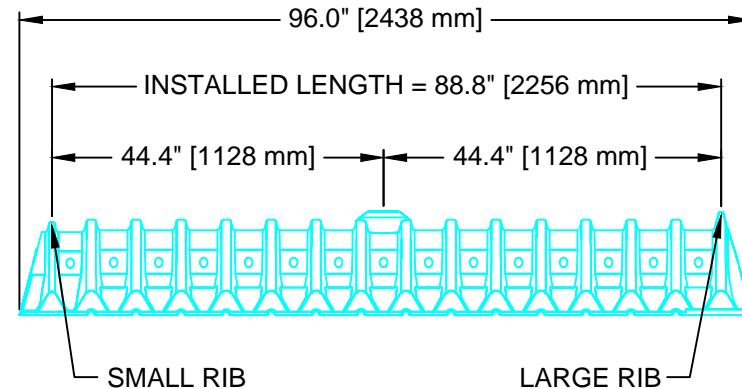
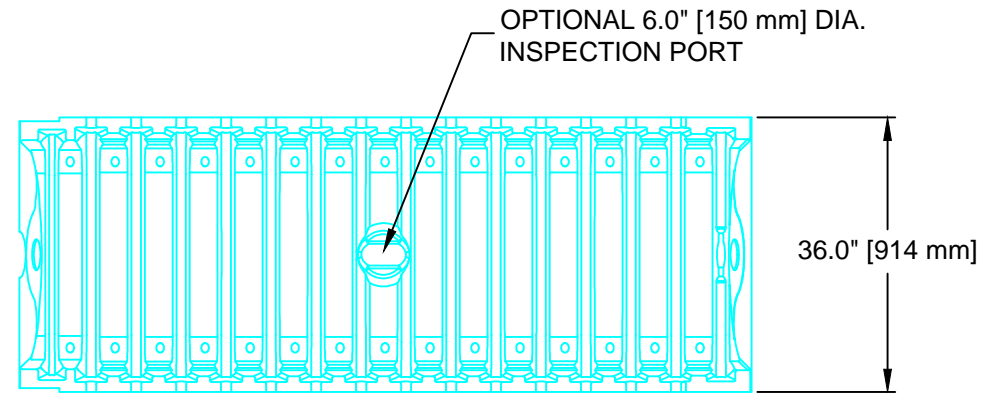
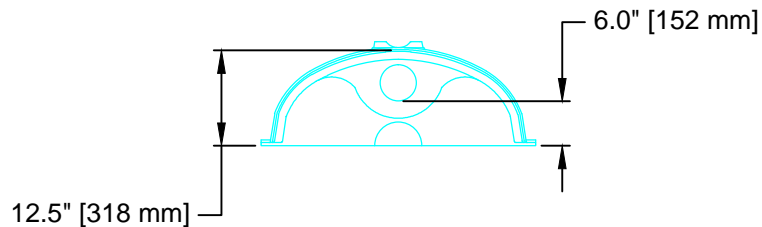


*MAY ALSO BE USED AS AN INTERMEDIATE UNIT TO EXTEND THE LENGTH OF A RUN.



INSTALLED LENGTH ADJUSTMENT = 0.6' [0.18 m]



36 Hudson Rd
Sudbury MA 01776



800-225-4616
www.tisales.com



CULTEC, Inc.

Subsurface Stormwater Management Systems

P.O. Box 280
878 Federal Road
Brookfield, CT 06804
www.cultec.com

PH: (203) 775-4416
PH: (800) 4-CULTEC
FX: (203) 775-1462
tech@cultec.com

THIS DRAWING WAS PREPARED TO SUPPORT THE DESIGN ENGINEER FOR THE PROPOSED SYSTEM. IT IS THE ULTIMATE RESPONSIBILITY OF THE DESIGN ENGINEER TO ASSURE THAT THE STORMWATER SYSTEM'S DESIGN IS IN FULL COMPLIANCE WITH ALL APPLICABLE LAWS AND REGULATIONS. IT IS THE DESIGN ENGINEER'S RESPONSIBILITY TO ENSURE THAT THE CULTEC PRODUCTS ARE DESIGNED IN ACCORDANCE WITH CULTEC'S MINIMUM REQUIREMENTS. CULTEC INC. DOES NOT APPROVE PLANS, SIZING, OR SYSTEM DESIGNS. THE DESIGNING ENGINEER IS RESPONSIBLE FOR ALL DESIGN DECISIONS.

CONTACTOR 100 STANDARD DUTY
THREE VIEW DETAIL
SEPTIC APPLICATION

CULTEC CONTACTOR® 100SD

| | |
|---------------------------|------------------|
| PROJECT NO: - | DATE: 10/2014 |
| DESIGNED BY: CULTEC, INC. | DRAWN BY: TECH |
| SCALE: N.T.S. | SHEET NO: 1 OF 1 |