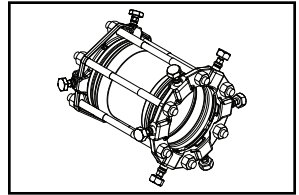


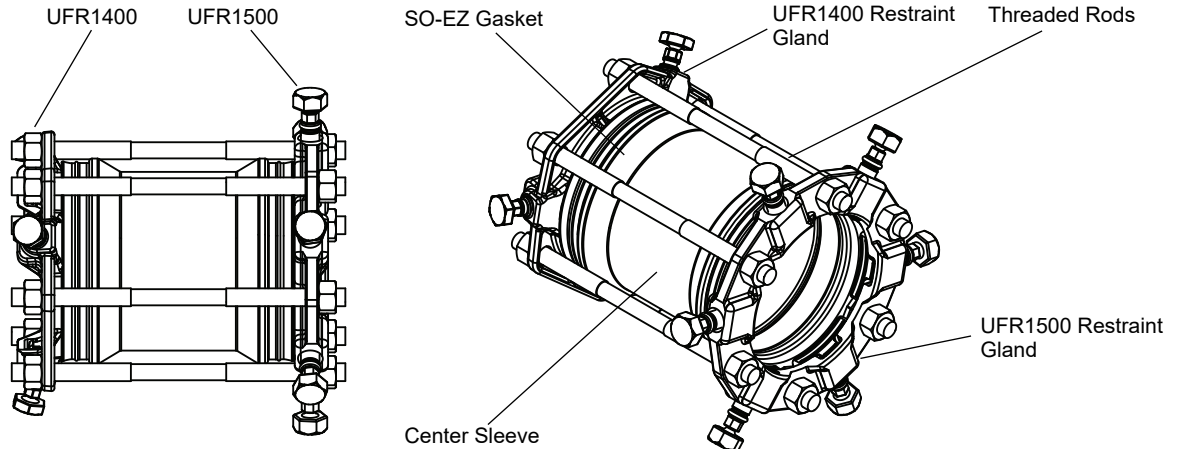
# SUBMITTAL INFORMATION

## Restrained Coupling - (RCDP-x-I style)



3" - 12" STYLE RCDP FOR JOINING PIPES OF THE SAME NOMINAL SIZE

FOR JOINING DUCTILE IRON PIPE TO C900, IPS PVC, STEEL, C909, HDPE AND SDR35 PIPE



NOMINAL PIPE SIZE	PIPE O.D. RANGE FOR UFR1400	PIPE O.D. RANGE FOR UFR1500	SLEEVE LENGTH	DEGREES DEFLECTION	No. OF RODS	SIZE OF RODS	APPROX. WT. LBS	PART NUMBER	✓ SUBMITTED ITEM(S)
3"	3.96	3.50	7-1/2"	2°	4	5/8" x 14"	35	RCDP-3-I	
4"	4.80	4.21 - 4.80	7-1/2"	5°	4	3/4" x 14"	38	RCDP-4-I	
6"	6.90	6.27 - 6.90	7-1/2"	5°	6	3/4" x 14"	54	RCDP-6-I	
8"	9.05	8.40 - 9.05	7-1/2"	5°	6	3/4" x 14"	67	RCDP-8-I	
10"	11.10	10.50 - 11.10	7-1/2"	5°	8	3/4" x 14"	89	RCDP-10-I	
12"	13.20	12.50 - 13.20	7-1/2"	5°	8	3/4" x 14"	103	RCDP-12-I	

### FEATURES

- Center Sleeve: Ductile iron per ASTM A536, fusion bonded epoxy coated
- Restraint Glands: Ductile iron per ASTM A536, epoxy coated via the e-coat process  
UFR1500 has red top coat for identification
- Double End Rods & Nuts: High strength, low alloy steel per ASTM A242 and AWWA C111  
(Optional: Blue fluorocarbon or stainless steel)
- Gaskets: SO-EZ gaskets, pre-lubricated SBR rubber to accommodate listed ranges. Optional: Buna-N rubber (required for sewer applications)
- Stab fit, no disassembly required
- Can be used to connect ductile iron pipe with any thickness class AWWA C900 and C909 PVC, ASTM D2241 IPS PVC, Steel Pipe or SDR35 Sewer Pipe. Also connects ductile iron pipe with HDPE pipe if a stainless steel insert is used
- "Auto-Tork" actuating screws with heads specially designed to twist off at the correct installation torque
- Rated at the same pressure rating as the pipe on which it is installed with a 2:1 safety factor
- Complies with AWWA C219

The Ford Meter Box Company considers the information in this submittal form to be correct at the time of publication. Item and option availability, including specifications, are subject to change without notice. Please verify that your product information is current.



**The Ford Meter Box Company, Inc.**  
P.O. Box 443, Wabash, Indiana U.S.A. 46992-0443  
Phone: 260-563-3171 / Fax: 800-826-3487  
Overseas Fax: 260-563-0167  
www.fordmeterbox.com

07/31/17

Submitted By:

**Ti SALES**

36 Hudson Rd  
Sudbury MA 01776



800-225-4616  
www.tisales.com