

Application

Designed for installation on potable water lines between the backflow preventer or pressure reducing valve and the water heater to protect against water thermal expansion. When system pressure increases, water enters the tank's polypropylene lined water chamber which expands a diaphragm into a pre-charged air chamber, keeping system pressure below the relief valve setting.

Standards Compliance

- IAPMO® Listed
- Water Quality Association - Certified to NSF/ANSI 61 & 372*
*(0.25% MAX. WEIGHTED AVERAGE LEAD CONTENT)

Materials

Outer shell	Carbon Steel
Coatings	Epoxy finish (outer shell)
Connection	Stainless Steel
Liner	Polypropylene
Diaphragm	Butyl Rubber

Features

Sizes (liters): 8, 18, 35

Maximum working water pressure:	150 PSI
End connections	Threaded NPT ANSI B1.20.1
Factory Pre-charge (adjustable)	40 PSI

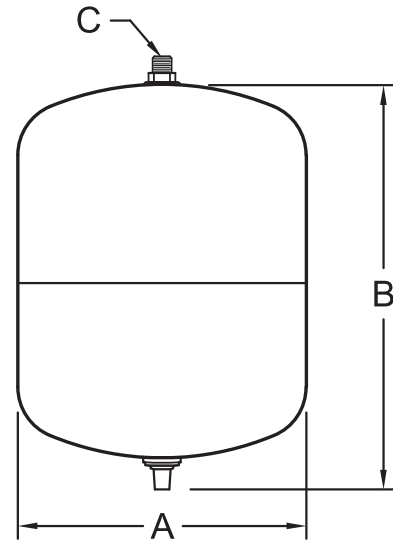
Note: Model XT tanks are certified to NSF 61 domestic hot, but are suitable for temperatures up to 200° F.



NSF/ANSI 61
NSF/ANSI 372

Accessories

- NR3XL - Water pressure reducing valve
- TP1100A - Temperature & pressure relief valve
- P1000AXL - Pressure relief valve
- P3000CI - Pressure relief valve
- P3000BR - Pressure relief valve
- 975XL2 - Reduced pressure backflow preventer
- VR10XL - Vacuum relief valve



Dimensions & Weights (do not include pkg.)

TANK DIMENSIONS AND CAPACITIES								
MODEL NUMBER	MAXIMUM WORKING PRESSURE psi	TANK VOLUME (gallons)	MAXIMUM ACCEPTANCE VOLUME (gallons)	FACTORY PRE-CHARGE psi	DIMENSIONS			WEIGHT lbs.
					DIAMETER A	HEIGHT B	SYSTEM CONNECTION C	
XT-8	150	2.1	1.0	40	8	10 1/2	3/4NPT	5.5
XT-18	150	4.8	2.4	40	11	13 1/2	3/4 NPT	10
XT-35	150	9.0	4.25	40	12 1/2	17 1/4	3/4 NPT	15.5

Flow Characteristics

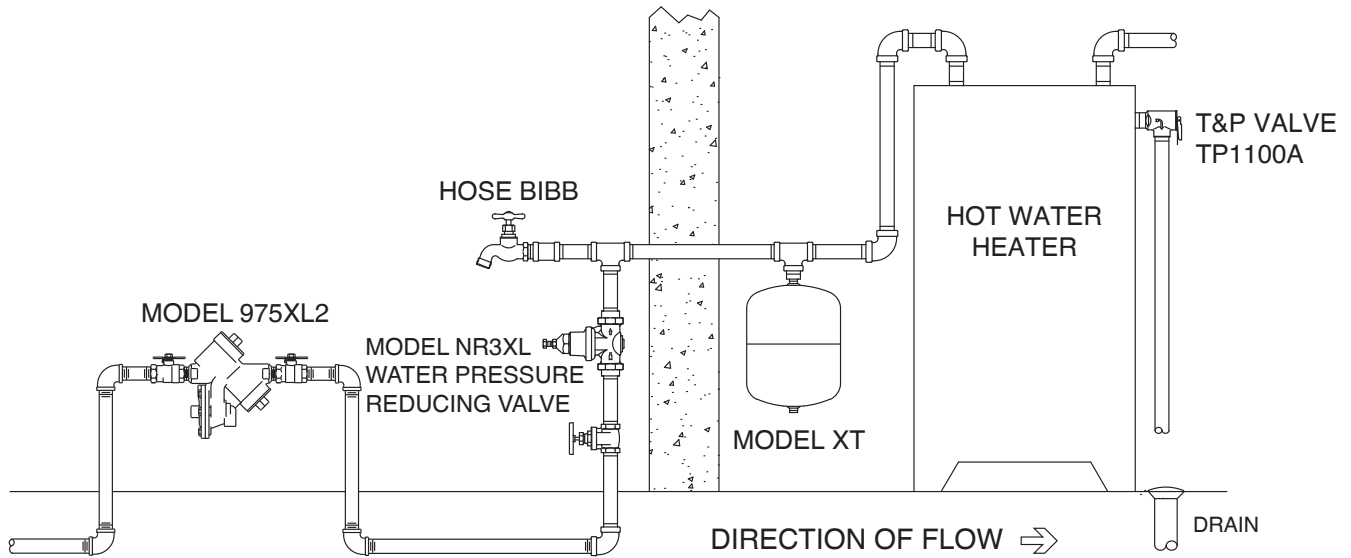
Sizing Chart

Supply Pressure (psig)	WATER HEATER CAPACITY (U.S. gal)										
	20	30	40	50	60	80	100	120	150	175	200
40	8	8	8	8	8	18	18	18	35	35	35
50	8	8	8	8	8	18	18	18	35	35	35
55	8	8	8	8	8	18	18	18	35	35	35
60	8	8	8	8	18	18	18	18	35	35	35
70	8	8	8	18	18	18	18	35	35	35	35
80	8	8	18	18	18	18	35	35	35	35	35
90	8	18	18	18	18	35	35	35	35		
100	18	18	18	18	35	35	35				
110	18	18	35	35	35						
120	35	35	35								

= See WXTP Spec Sheet
 Based upon 100° temperature rise (40°F to 140°F)

Typical Installation

Local codes shall govern installation requirements. Unless otherwise specified, the assembly shall be mounted on the cold water supply and at least 18" from the cold water inlet to the heater. **Note:** Pre-charge should be adjusted to match incoming water pressure (adjust pre-charge with no water pressure in tank). Not to exceed 80psi.



Model XT Installation

Specifications

The Water Thermal Expansion Tank outer shell shall be carbon steel. The diaphragm shall be FDA approved butyl rubber and the water chamber shall be polypropylene lined to preclude water contact with the shell interior. The assembly shall have a NPT Stainless steel system connection and a 0.301"-32 charging valve connection (standard tire valve) to facilitate the on-site charging of the tank to meet system requirements. The tank shall be IAPMO® listed and certified to NSF/ANSI 61 & 372. The Water Thermal Expansion Tank shall be a ZURN WILKINS Model XT.

