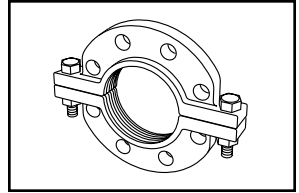
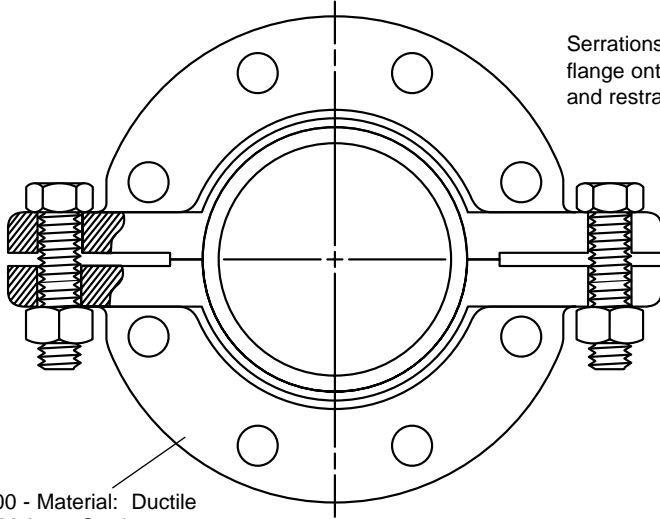


# SUBMITTAL INFORMATION

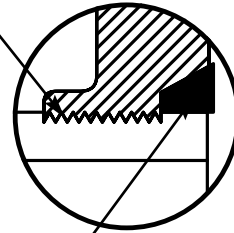
## Adapter Flange (UFA900-S-x series)



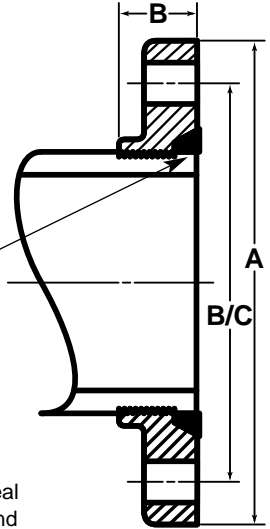
### UNI-FLANGE SERIES 900 ADAPTER FLANGE FOR STEEL PIPE O.D. PVC PIPE



Serrations lock flange onto pipe and restrains pipe.



EPDM gasket creates a dual seal against face of mating flange and around pipe.



Series 900 - Material: Ductile Iron ASTM A536 Grade 65-45-12

Color Code: Gray for PVC with steel pipe O.D.

NOM. PIPE SIZE	STEEL PIPE		APPROX. WT. LBS.	DIMENSIONS			BOLT HOLE DIA.	FLANGE BOLTS		CLAMPING BOLTS		✓ SUBMITTED ITEM(S)
	OD	CATALOG No.		OD A	THICKNESS B	BOLT CENTER BC		No.	SIZE	No.	SIZE	
4"	4.500	UFA900-S-4	11	9"	1-1/2"	7-1/2"	3/4"	8	5/8"x3"	2	5/8"x3"	
6"	6.625	UFA900-S-6	19	11"	1-9/16"	9-1/2"	7/8"	8	3/4"x3-1/4"	2	5/8"x3"	
8"	8.625	UFA900-S-8	29	13-1/2"	1-7/8"	11-3/4"	7/8"	8	3/4"x3-1/2"	2	3/4"x3-1/2"	

#### PRESSURE RATING APPLICATIONS

NOM. SIZE	PIPE STANDARD	TYPE	PRESSURE RATING (PSI)
4"	ASTM D2241	SDR-21	200
6"		SDR-26	160
8"		SDR-32.5	125
4"	ASTM 1785	Schedule 40	220
6"			180
8"			160
4"	ASTM 1785	Schedule 80	320
6"			280
8"			250

### FEATURES

- Series 900 Flanges meet all test requirements of ASTM D2241, ASTM D1599 and ASTM D2992.
- Flanges Drilling ANSI B16.1 125 lb. / ANSI B16.5 150 lb.
- Gasket is EPDM (-65° to 250° F) and is suitable for water, wastewater, ozones and strong oxidizing chemicals.

The Ford Meter Box Company considers the information in this submittal form to be correct at the time of publication. Item and option availability, including specifications, are subject to change without notice. Please verify that your product information is current.



**The Ford Meter Box Company, Inc.**

P.O. Box 443, Wabash, Indiana U.S.A. 46992-0443

Phone: 260-563-3171 / Fax: 800-826-3487

Overseas Fax: 260-563-0167

<http://www.fordmeterbox.com>

11/16/01



36 Hudson Rd  
Sudbury MA 01776



800-225-4616  
[www.tisales.com](http://www.tisales.com)