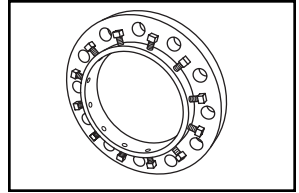


SUBMITTAL INFORMATION

Adapter Flange (UFA420-S-x series)

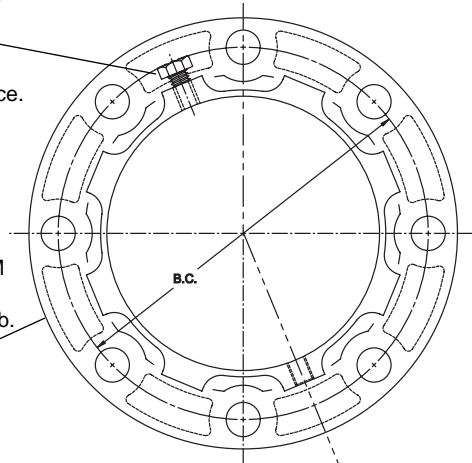


UNI-FLANGE SERIES 420 ADAPTER FLANGE FOR STEEL PIPE

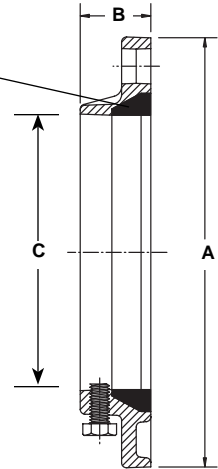
Set Screw - AISI 4140 Steel;
Tensile 190,000 psi
minimum. Heat treated to
Rockwell C 35-44, and zinc
plated for corrosion resistance.

Flange - Ductile Iron --ASTM
A536. Grade 65-45-12.
Drilling to ANSI B16.1 (250 lb.
cast iron) or ANSI B16.5
(300 lb. steel)

Color Code: Gray for steel
applications



Gasket - Standard gasket
supplied with the Uni-
Flange Adapter Flange
- SBR Buna-S



NOM. PIPE SIZE	STEEL PIPE		APPROX. WT. LBS.	PRESSURE RATING PSI	SET SCREWS		FLANGE			BOLT CIRCLE DIA.	✓ SUBMITTED ITEM(S)
	OD	CATALOG No.			NUMBER	SIZE	OD A	THICKNESS B	APPROX. ID C		
2"	2.375	UFA420-S-2	7	400	8	1/2"x1"	6-1/2"	2-1/4"	2-1/2"	5"	
3"	3.500	UFA420-S-3	13	400	8	1/2"x1"	8-1/4"	2-7/16"	3-5/8"	6-5/8"	
4"	4.500	UFA420-S-4	21	400	8	1/2"x1"	10"	2-7/16"	4-5/8"	7-7/8"	
5"	5.563	UFA420-S-5	23	400	8	5/8"x1-1/4"	11"	2-9/16"	5-11/16"	9-1/4"	
6"	6.625	UFA420-S-6	38	400	12	5/8"x1-1/4"	12-1/2"	2-9/16"	6-3/4"	10-5/8"	
8"	8.625	UFA420-S-8	57	400	12	5/8"x1-1/4"	15"	2-5/8"	8-3/4"	13"	
10"	10.750	UFA420-S-10	74	400	16	5/8"x1-1/4"	17-1/2"	2-5/8"	10-7/8"	15-1/4"	
12"	12.750	UFA420-S-12	104	400	16	5/8"x1-1/4"	20-1/2"	3"	12-7/8"	17-3/4"	

FEATURES

- Restraint is provided by a set screw locking device similar to that used in mechanical joint retainer glands.
- The gasket is the standard AWWA mechanical joint transition gasket.
- Designed for ease of on-site installation. Eliminates bolt hole alignment problems.
- Allows for pipe deflection.
- Series 420 Adapter Flanges are not recommended for use on PVC pipe.
- Optional Uni-Torque Set Screws are available for use with Series 420 Adapter Flanges for Steel Pipe, Schedule 40 and up. To order, add -UT to the catalog number. Example: UFA420-S-6-UT.
- EPDM gasket is available. To order, add -EPDM to end of catalog number. Example: UFA420-S-6-UT-EPDM

The Ford Meter Box Company considers the information in this submittal form to be correct at the time of publication. Item and option availability, including specifications, are subject to change without notice. Please verify that your product information is current.



The Ford Meter Box Company, Inc.

P.O. Box 443, Wabash, Indiana U.S.A. 46992-0443

Phone: 260-563-3171 / Fax: 800-826-3487

Overseas Fax: 260-563-0167

<http://www.fordmeterbox.com>

07/17/06

Ti SALES

36 Hudson Rd
Sudbury MA 01776



800-225-4616
www.tisales.com