



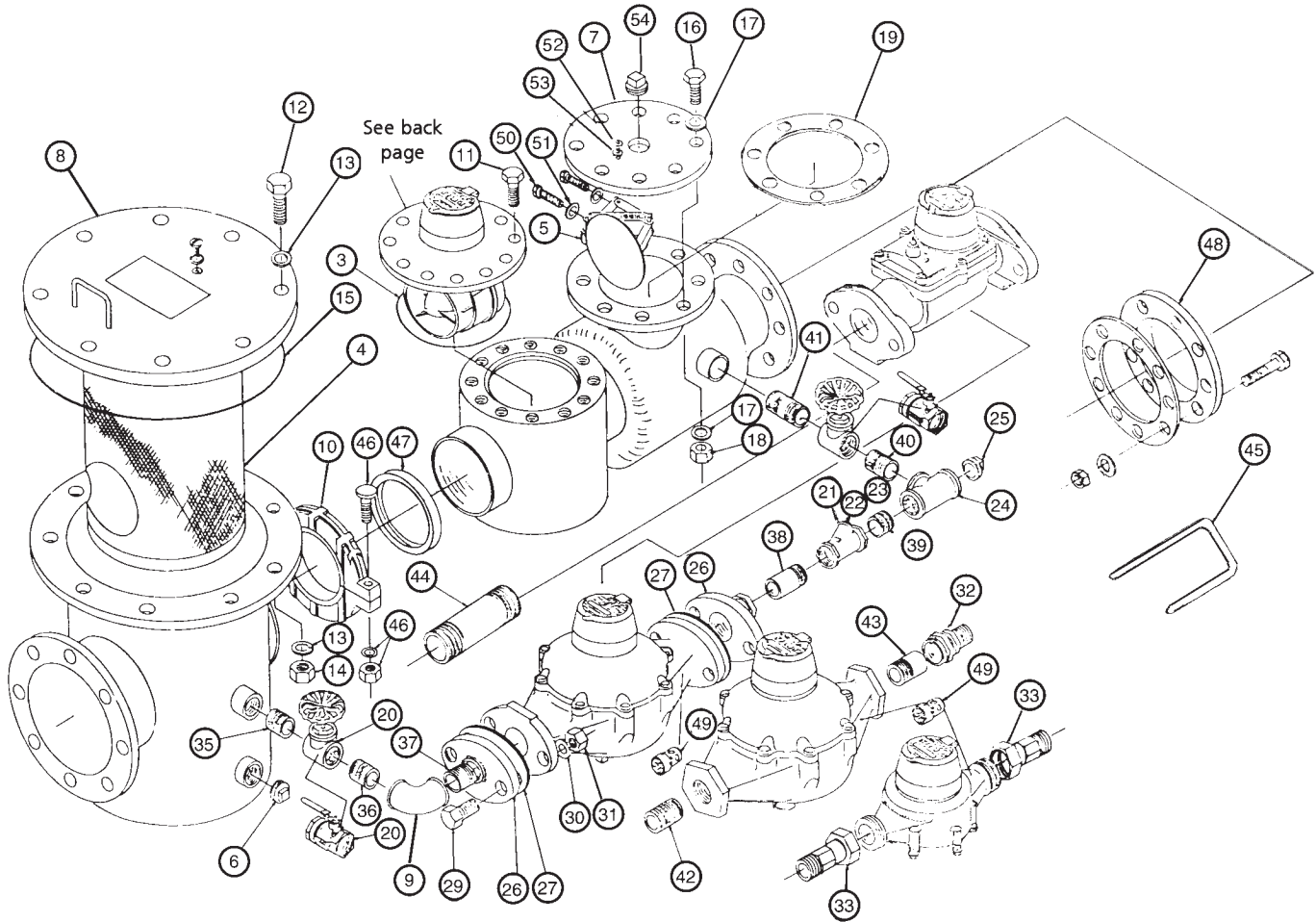
NEPTUNE
TECHNOLOGY GROUP

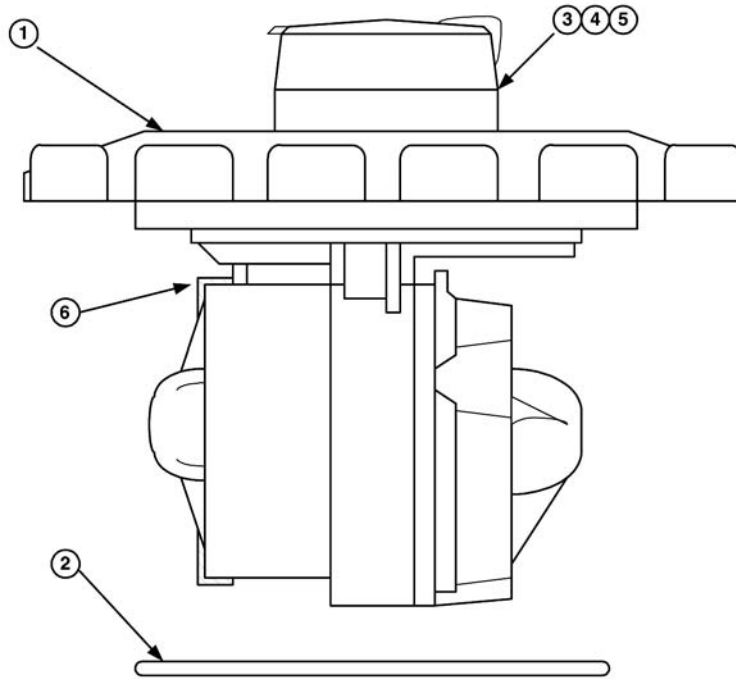
ARB® UTILITY MANAGEMENT SYSTEMS™

HP PROTECTUS® III Parts List



		4"	6"	8"	10"
3	Meter Cover O-Ring	8316-271	8316-272	8316-272	8316-272
4	Strainer Element	11462-001	11462-002	11462-003	11462-004
5	Main Line Valve	9760-100	9760-200	9760-300	9760-300
6	Flush Port Pipe Plug	8315-028	8315-027	8315-028	8315-028
7	Meter Valve Cover	11705-101	11705-201	11705-301	11705-301
8	Strainer Body Cover	11957-101	11957-201	11957-301	11957-401
9	90° Elbow	8385-203	8385-201	8385-202	8385-202
10	Victaulic Coupling	60720-001	60720-002	60720-003	60720-007
10	Victaulic Coupling (S/S Bolts)	60720-008	60720-009	60720-010	60720-011
11	Meter Cover Bolts (S/S)	8329-426 (8)	8329-405 (12)	8329-405 (12)	8329-405 (12)
12	Strainer Cover Bolts	8307-029 (8)	8307-036(12)	8307-031 (16)	8307-031 (20)
12	Strainer Cover Bolts (S/S)	8307-032 (8)	8307-037(12)	8307-034 (16)	8307-034 (20)
13	Strainer Cover Washers (S/S)	8568-028 (16)	8568-036 (24)	8568-034 (32)	8568-034 (40)
14	Strainer Cover Nuts	8545-411 (8)	8545-410 (12)	8545-424 (16)	8545-424 (20)
14	Strainer Cover Nuts (S/S)	8545-416 (8)	8545-427 (12)	8545-430 (16)	8545-430 (20)
15	Strainer Cover O-Ring	8316-312	8316-311	8316-309	8316-310
16	Valve Cover Bolts	8329-509 (8)	8307-009 (8)	8307-029 (8)	8307-029
16	Valve Cover Bolts (S/S)	8307-019 (8)	8307-046 (8)	8307-032 (8)	8307-032
17	Valve Cover Washers	616-000 (16)	8568-029 (16)	8568-029	8568-029
17	Valve Cover Washers (S/S)	8568-021 (16)	8568-023 (16)	8568-023	8568-023
18	Valve Cover Nuts	8545-410 (8)	8545-410 (8)	8545-411	8545-411
18	Valve Cover Nuts (S/S)	8545-404 (8)	8545-416 (8)	8545-416 (8)	8545-416 (8)
19	Valve Cover Gasket	60707-004	60707-006	60707-008	60707-008
19	Valve Cover O-Ring	8316-306	8316-317	8316-312	8316-312
20	Gate Valve	8368-008	8368-010	8368-011	8368-011
20	Ball Valve (Lockable LL)	8368-822	8368-823	8368-824	8368-824
20	Ball Valve (Lockable)	8368-803	8368-804	8368-805	8368-805
21	Check Valve	8368-403	8368-401	8368-402	8368-402
22	Check Valve Bolt				
23	Check Valve Washer				
24	Test Tee	8386-101	8386-102	8386-103	8386-103
25	Test Tee Pipe Plug	8315-010	8315-020	8315-028	8315-028
26	Oval Flange	N/A	60708-104	60708-204	60708-204
27	Oval Gasket	N/A	60709-001	60709-002	60709-002
28	Adjustable Oval Flange	N/A	60711-002	60711-001	60711-001
29	Flange Bolt	N/A	8307-007 (4)	8307-009 (4)	8307-009 (4)
29	Flange Bolt (S/S)	N/A	8307-019 (4)	8307-046 (4)	8307-046 (4)
30	Flange Washer	N/A	616-000 (4)	2025-000 (4)	2025-000 (4)
30	Flange Washer (S/S)	N/A	8568-022 (4)	8568-023 (4)	8568-023 (4)
31	Flange Nut	N/A	41226-000 (4)	41227-000 (4)	41227-000(4)
31	Flange Nut (S/S)	N/A	8545-404 (4)	8545-416 (4)	8545-416 (4)
32	Pack Joint	N/A	8374-614	8374-615	8374-615
33	Coupling Assembly	60700-102			
34	Bypass Plug	8315-004	8315-027	8315-028	8315-028
35	Threaded Nipple	8314-404	8314-607	8314-701	8314-701
36	Threaded Nipple	8314-401	8314-607	8314-701	8314-701
37	Threaded Nipple	N/A	8314-604	8314-701	8314-708
38	Threaded Nipple	N/A	8314-609	8314-717	8314-707
39	Threaded Nipple	8314-407	8314-607	8314-701	8314-704
40	Threaded Nipple	8314-401	8314-604	8314-701	8314-701
41	Threaded Nipple	8314-404	8314-604	8314-703	8314-704
42	Threaded Nipple	N/A	8314-604	8314-702	8314-709
43	Threaded Nipple	N/A	8314-609	8314-717	8314-711
44	Turbine Bypass	N/A	8314-605	8314-713	8314-714
45	Valve Retainer Tool	5500-153	5500-154	5500-155	5500-155
46	Victaulic Bolt and Nut	60734-001	60734-002	60734-003	60734-004
47	Victaulic Gasket	60721-001	60721-002	60721-003	60721-004
48	Flange Kit	60705-400	60705-600	60705-800	60705-900
48	Flange Kit (S/S)	60705-450	60705-650	60705-850	60705-950
48	Flange	60706-400	60706-600	60706-800	60706-900
49	Throttle Valve	11668-000	11668-100	11668-200	11668-200
50	Bolt-Knuckle Valve	8329-207	8329-207	8329-207	8329-207
51	Washer-Knuckle Valve	8387-401	8387-401	8387-401	8387-401
52	Vent Screw	2251-004	2251-004	2251-004	2251-004
53	Vent Screw Washer	2252-000	2252-000	2252-000	2252-000
54	Test Port Pipe Plug	8315-028	8315-028	8315-020	8315-020





METER SIZE	ITEM 1	ITEM 2	DIAL	ITEM 3 D.R.		ITEM 4 PROREAD (PIT) (ARB VI) (LP) (2 BD)		ITEM 4 PROREAD (PIT) (ARB VI) (LP) (3 BD)		ITEM 5 E-CODER (PIT) (ARB VII)		ITEM 5 E-CODER R900i (PIT)		ITEM 6
	Cover Ass't	O-Ring		Reg#	U.M.E #	Reg#	U.M.E. #	Reg #	U.M.E. #	Reg #	U.M.E. #	Reg #	U.M.E. #	Reg #
4"	11328-230	8316-271	100 GAL.	R85G6	9719-301	R75G61	9719-308	R75G62	9719-309	RH5G61	9719-300	RW5G62	9719-340	11335-001
			10 CU. FT.	R85F6	9719-311	R75F61	9719-318	R75F62	9719-319	RH5F61	9719-310	RW5F62	9719-350	
			1 M ³	R85M6	9719-321	R75M61	9719-328	R75M62	9719-329	RH5M61	9719-320	RW5M62	9719-360	
			1000 IMP. GAL.	R85I6	9719-331	R75I61	9719-338	R75I62	9719-339	RH5I61	9719-330	RW5I62	9719-370	
6"	11328-330	8316-272	1000 GAL.	R85G7	9719-401	R75G71	9719-408	R75G72	9719-409	RH5G7	9719-400	RW5G72	9719-440	11335-002
			100 CU. FT.	R85F7	9719-411	R75F71	9719-418	R75F72	9719-419	RH5F71	9719-410	RW5F72	9719-450	
			10 M ³	R85M7	9719-421	R75M71	9719-428	R75M72	9719-429	RH5M71	9719-420	RW5M72	9719-460	
			1000 IMP. GAL.	R85I7	9719-431	R75I71	9719-438	R75I72	9719-439	RH5I71	9719-430	RW5I72	9719-470	
8"	11328-430	8316-272	1000 GAL.	R85G8	9719-501	R75G81	9719-508	R75G82	9719-509	RH5G81	9719-500	RW5G82	9719-540	
			100 CU. FT.	R85F8	9719-511	R75F81	9719-518	R75F82	9719-519	RH5F81	9719-510	RW5F82	9719-550	
			10 M ³	R85M8	9719-521	R75M81	9719-528	R75M82	9719-529	RH5M81	9719-520	RW5M82	9719-560	
			1000 IMP. GAL.	R85I8	9719-531	R75I81	9719-538	R75I82	9719-539	RH5I81	9719-530	RW5I82	9719-570	
10"	11328-530	8316-272	1000 GAL.	R85G9	9719-601	R75G91	9719-608	R75G92	9719-609	RH5G91	9719-600	RW5G92	9719-640	
			100 CU. FT.	R85F9	9719-611	R75F91	9719-618	R75F92	9719-619	RH5F91	9719-610	RW5F92	9719-650	
			10 M ³	R85M9	9719-621	R75M91	9719-628	R75M92	9719-629	RH5M91	9719-620	RW5M92	9719-660	
			1000 IMP. GAL.	R85I9	9719-631	R75I91	9719-638	R75I92	9719-639	RH5I91	9719-630	RW5I92	9719-670	

Neptune engages in ongoing research and development to improve and enhance its products. Therefore, Neptune reserves the right to change product or system specifications without notice.

Neptune Technology Group Inc.

1600 Alabama Highway 229
Tallahassee, AL 36078
USA
Tel: (800) 645-1892
Fax: (334) 283-7293



36 Hudson Rd
Sudbury MA 01776



800-225-4616
www.tisales.com



NEPTUNE
TECHNOLOGY GROUP

neptunetg.com