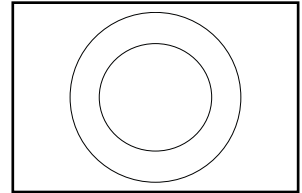
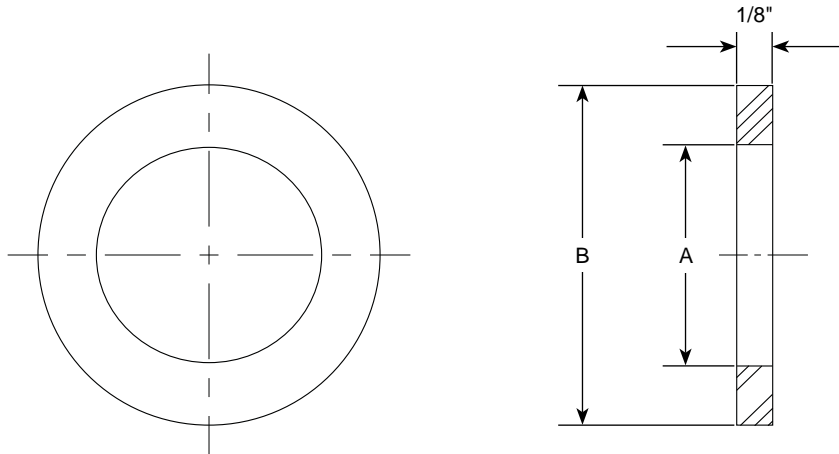


SUBMITTAL INFORMATION

Meter Gasket - (GT-1xx style)



METER GASKET FOR 5/8" TO 1" METER CONNECTIONS



METER SIZE	DIAMETER A	DIAMETER B	THICKNESS (T)	PART NUMBER	✓ SUBMITTED ITEM(S)
5/8"	41/64"	15/16"	1/8"	GT-109	
5/8"x3/4" & 3/4"	25/32"	1-5/32"		GT-116	
1"	1-1/16"	1-1/2"		GT-121	

FEATURES

- Composed of aramid fibers with an SBR binder
- Conforms to ASTM F104

The Ford Meter Box Company considers the information in this submittal form to be correct at the time of publication. Item and option availability, including specifications, are subject to change without notice. Please verify that your product information is current.



The Ford Meter Box Company, Inc.

P.O. Box 443, Wabash, Indiana U.S.A. 46992-0443

Phone: 260-563-3171 / Fax: 800-826-3487

Overseas Fax: 260-563-0167

www.fordmeterbox.com

09/15/14



36 Hudson Rd
Sudbury MA 01776



800-225-4616
www.tisales.com