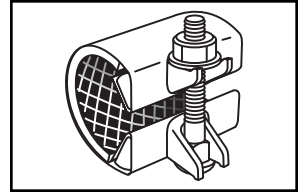
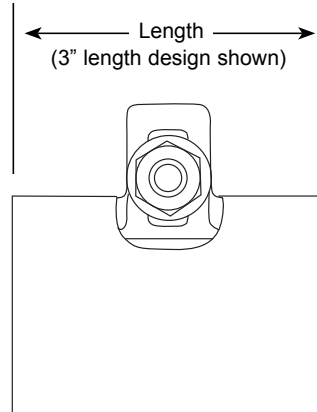
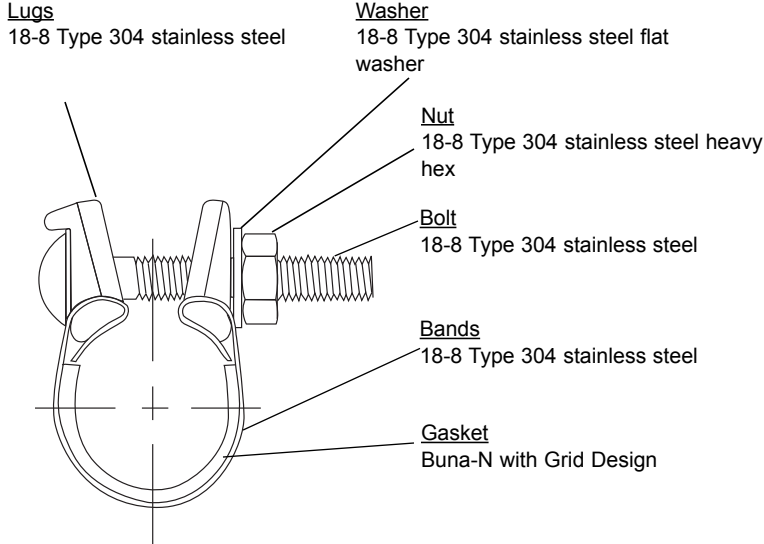


SUBMITTAL INFORMATION

Snap Clamps - (FLSC-xxx-x style)



ALL STAINLESS STEEL REPAIR CLAMPS FOR SMALL LEAKS



NOM. PIPE SIZE	PIPE O.D. RANGE	LENGTH AND APPROXIMATE WEIGHT (LBS.)				BOLT SIZE	CATALOG NUMBER FLSC-XXX-LENGTH*	✓ SUBMITTED ITEM(S)
		3"	6"	9"	12"			
1/2"	0.08	0.6	1.21	-	-	3/8"x3-1/2"	FLSC-084-	
3/4"	1.05	0.65	1.28	1.91	-		FLSC-105-	
1"	1.32	0.66	1.31	2.0	-		FLSC-132-	
1-1/4"	1.66	0.73	1.42	2.15	-		FLSC-166-	
1-1/2"	1.90	0.74	1.44	2.75	2.86		FLSC-190-	
2"	2.38	1.0	2.0	3.2	4.0		FLSC-238	
2-1/2"	2.88	1.0	2.2	3.3	4.2	7/16"x4"	FLSC-288-	
3"	3.50	1.4	2.6	4.0	5.2		FLSC-350-	
3-1/2"	4.00	1.4	2.7	4.2	5.4		FLSC-400-	
4"	4.50	1.4	2.8	4.2	5.6		FLSC-450-	
5"	5.56	1.6	3.0	4.8	6.4		FLSC-556-	
6"	6.00	1.9	3.5	5.0	6.7		FLSC-600-	
	6.63	2.2	3.7	5.6	7.4		FLSC-663-	
8"	8.00	2.2	4.4	6.6	8.0		FLSC-800-	
	8.63	2.5	4.9	6.9	8.8		FLSC-863-	
Number of Bolts		1	2	3	4			

*Add length option (3, 6, 9, or 12) to complete catalog number. Example: FLSC-084-3

FEATURES

- Drop-in bolt design allows bolts to remain attached - no loose parts to lose in the ditch
- Gaskets are heavy-grid design and extend lug to lug (3.50" and 4.50" gasket do not extend lug to lug)

The Ford Meter Box Company considers the information in this submittal form to be correct at the time of publication. Item and option availability, including specifications, are subject to change without notice. Please verify that your product information is current.



The Ford Meter Box Company, Inc.

P.O. Box 443, Wabash, Indiana U.S.A. 46992-0443

Phone: 260-563-3171 / Fax: 800-826-3487

Overseas Fax: 260-563-0167

<http://www.fordmeterbox.com>

03/09/12



36 Hudson Rd
Sudbury MA 01776



800-225-4616
www.tisales.com