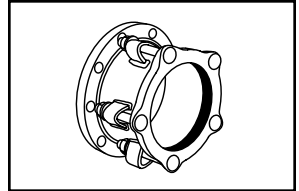
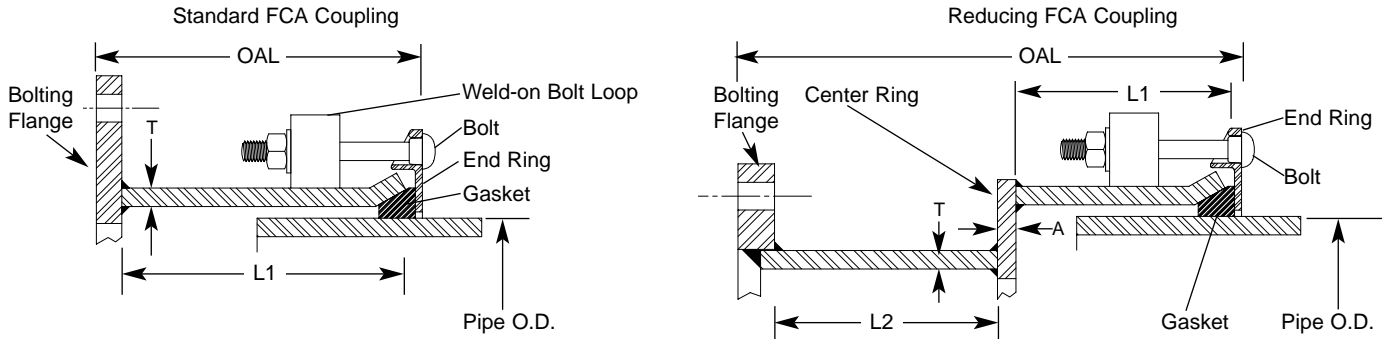


SUBMITTAL INFORMATION

Adapter Flanges - (FCA-xxxx-xxxx style)



30" - 48" STYLE FCA COUPLINGS FOR CONNECTING PLAIN END PIPE TO FLANGED FITTINGS



NOM. PIPE SIZE	COUPLING GASKET RANGE	FIG SIZE	END RING BOLTS*			DIMENSION		SLEEVE LGTH		APPROX. OVERALL LENGTH	APPROX. Wt. LBS.	RATED WORKING PRESSURE	CATALOG NUMBER	✓ SUBMITTED ITEM(S)
			DIA.	LGTH.	QTY.	A	T	L1	L2					
30"	30.00	24"	5/8"	5"	18	7/8"	1/4"	5"	7"	14-7/8"	279	150	FCA-3000-D24R	
	30.00	30"				n/a			n/a	11-1/2"	298		FCA-3000-D30R	
	32.00	24"				7/8"			7"	14-7/8"	-		FCA-3200-D24R	
	32.00	30"				n/a			n/a	11-1/2"	305		FCA-3200-D30R	
36"	36.00	30"	5/8"	5"	18	7/8"	1/4"	5"	7"	15"	-	150	FCA-3600-D30R	
	36.00	36"				n/a			n/a	11-1/2"	468		FCA-3600-D36R	
	38.30	30"				7/8"			7"	15"	-		FCA-3830-D30R	
	38.30	36"				n/a			n/a	11-1/2"	459		FCA-3830-D36R	
42"	42.00	36"	5/8"	5"	20	7/8"	3/8"	5"	7"	15-1/8"	-	150	FCA-4200-D36R	
	42.00	42"				n/a			n/a	11-1/2"	553		FCA-4200-D42R	
	44.50	36"				7/8"			7"	15-1/8"	-		FCA-4450-D36R	
	44.50	42"				n/a			n/a	11-1/2"	628		FCA-4450-D42R	
48"	48.00	42"	5/8"	5"	22	7/8"	3/8"	5"	7"	15-1/4"	-	150	FCA-4800-D42R	
	48.00	48"				n/a			n/a	11-1/2"	-		FCA-4800-D48R	
	50.80	42"				7/8"			7"	15-1/4"	-		FCA-5080-D42R	
	50.80	48"				n/a			n/a	13-1/2"	727		FCA-5080-D48R	

Note: Flexible couplings do not restrain axial forces on piping.

* 30" thru 48" reducing coupling sleeves employ weld-on bolt loops rather than connecting to center ring.

FEATURES

- Sleeve: Carbon Steel per ASTM A36
- Center Ring: Carbon Steel per ASTM A36
- End Ring: Cold Rolled Steel per AISI 1018-1020
- Bolts and Nuts: Low Alloy Steel per ASTM A242 or AWWA C111
- Flange: Class D AWWA C207
- Gasket: SBR Rubber per ASTM D2000
- Finish: Black Shop Coat

The Ford Meter Box Company considers the information in this submittal form to be correct at the time of publication. Item and option availability, including specifications, are subject to change without notice. Please verify that your product information is current.



The Ford Meter Box Company, Inc.

P.O. Box 443, Wabash, Indiana U.S.A. 46992-0443

Phone: 260-563-3171 / Fax: 800-826-3487

Overseas Fax: 260-563-0167

<http://www.fordmeterbox.com>

06/19/01

Ti SALES

36 Hudson Rd
Sudbury MA 01776



800-225-4616
www.tisales.com