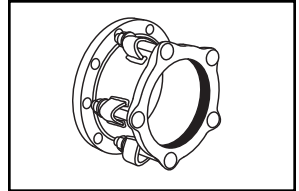
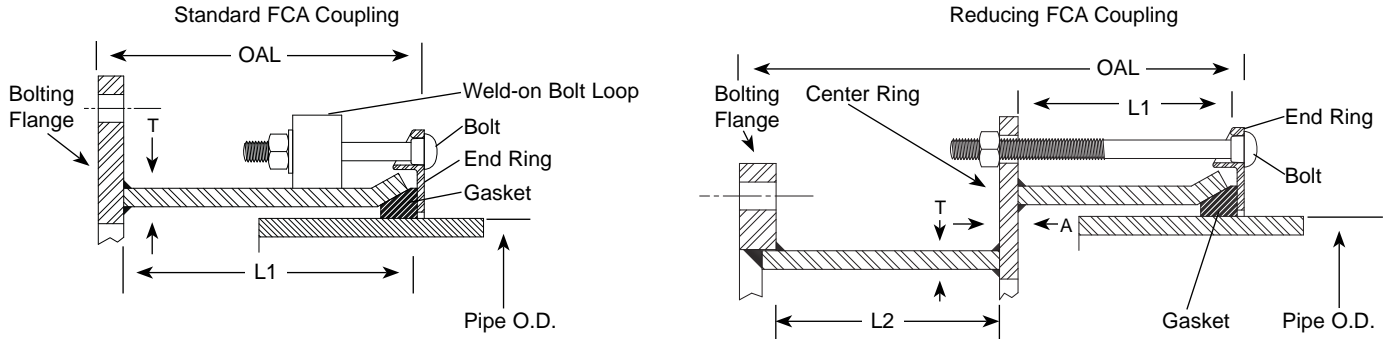


SUBMITTAL INFORMATION

Adapter Flanges - (FCA-xxxx-xxxx style)



3" - 12" STYLE FCA COUPLINGS FOR CONNECTING PLAIN END PIPE TO FLANGED FITTINGS



NOM. PIPE SIZE	COUPLING GASKET RANGE	FLG. SIZE	END RING BOLTS			DIMENSION		SLEEVE LGTH		APPROX. OVERALL LENGTH	APPROX. WT. LBS.	RATED WORKING PRESSURE	CATALOG NUMBER	✓ SUBMITTED ITEM(S)
			DLA.	LGTH.	QTY.	A	T	L1	L2					
3"	3.70 - 3.88	3"	5/8"	5"	3	n/a	3/8"	5"	n/a	6-1/2"	21	175	FCA-380-D3R	
4"	4.00	4"	5/8"	5"	3	n/a	3/8"	7"	n/a	8-1/2"	27	175	FCA-400-D4R	
	4.50 - 4.80					n/a		7"	n/a	8-1/2"	27		FCA-480-D4R	
6"	6.00	4"	5/8"	8"	4	3/8"	3/8"	5"	7"	13-5/8"	-	175	FCA-600-D4R	
	6.00	6"		5"		n/a		7"	n/a	8-1/2"	37		FCA-600-D6R	
	6.63 - 6.90	4"		8"		3/8"		5"	7"	13-5/8"	41		FCA-690-D4R	
	6.63 - 6.90	6"		5"		n/a		7"	n/a	8-1/2"	36		FCA-690-D6R	
8"	8.00	6"	5/8"	8"	5	3/8"	1/4"	5"	7"	13-5/8"	-	175	FCA-800-D6R	
	8.00	8"		5"		n/a		10"	n/a	11-1/2"	-		FCA-800-D8R	
	8.63 - 9.05	4"		8"		3/8"		5"	7"	13-5/8"	-		FCA-905-D4R	
	8.63 - 9.05	6"		8"		3/8"		5"	7"	13-5/8"	50		FCA-905-D6R	
10"	8.63 - 9.05	8"	5/8"	5"	6	n/a	1/4"	10"	n/a	11-1/2"	47	175	FCA-905-D8R	
	10.00	10"		5"		n/a		10"	n/a	11-1/2"	65		FCA-1000-D10R	
	10.75	10"		5"		n/a		10"	n/a	11-1/2"	61		FCA-1075-D10R	
	11.10 - 11.46	8"		8"		3/8"		5"	7"	13-5/8"	-		FCA-1146-D8R	
12"	11.10 - 11.46	10"	5/8"	5"	7	n/a	1/4"	10"	n/a	11-1/2"	59	175	FCA-1146-D10R	
	12.00	12"		5"		n/a		10"	n/a	11-1/2"	79		FCA-1200-D12R	
	12.75	12"		5"		n/a		10"	n/a	11-1/2"	87		FCA-1275-D12R	
	13.20 - 13.56	10"		8"		3/8"		5"	7"	13-3/4"	90		FCA-1356-D10R	
	13.20 - 13.56	12"		5"		n/a		10"	n/a	11-1/2"	81		FCA-1356-D12R	

Note: Flexible couplings do not restrain axial forces on piping.

FEATURES

- Sleeve: Carbon Steel per ASTM A36
- Center Ring: Carbon Steel per ASTM A36
- End Rings: Ductile Iron per ASTM A536
- Bolts and Nuts: Low Alloy Steel per ASTM A242 or AWWA C111
- Flange: Class D AWWA C207
- Gasket: SBR Rubber per ASTM D2000
- Finish: Black Shop Coat

The Ford Meter Box Company considers the information in this submittal form to be correct at the time of publication. Item and option availability, including specifications, are subject to change without notice. Please verify that your product information is current.



The Ford Meter Box Company, Inc.
 P.O. Box 443, Wabash, Indiana U.S.A. 46992-0443
 Phone: 260-563-3171 / Fax: 800-826-3487
 Overseas Fax: 260-563-0167
<http://www.fordmeterbox.com>

08/29/12



36 Hudson Rd
 Sudbury MA 01776



800-225-4616
www.tisales.com