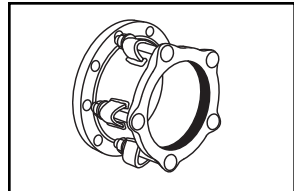
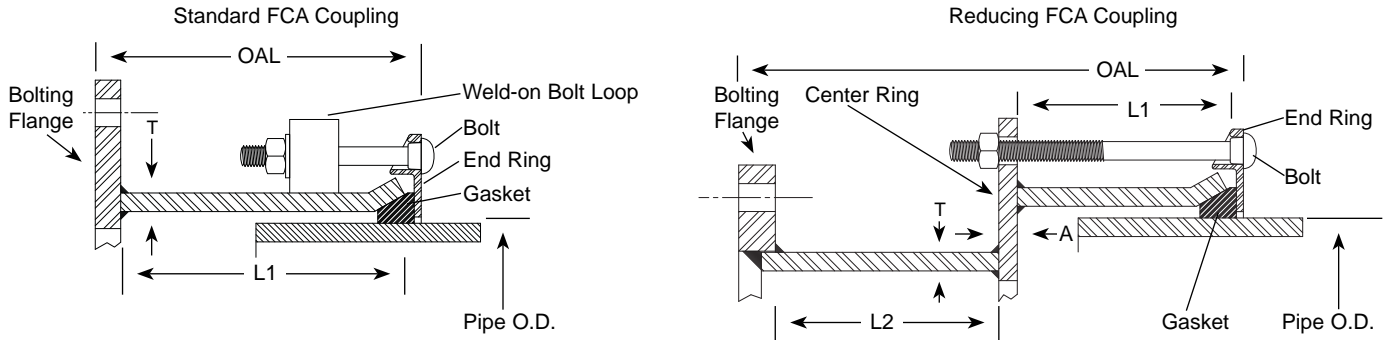


SUBMITTAL INFORMATION

Adapter Flanges - (FCA-xxxx-xxxx style)



14" - 24" STYLE FCA COUPLINGS FOR CONNECTING PLAIN END PIPE TO FLANGED FITTINGS



NOM. PIPE SIZE	COUPLING GASKET RANGE	FLG SIZE	END RING BOLTS			DIMENSION		SLEEVE LGTH		APPROX. OVERALL LENGTH	APPROX. WT. LBS.	RATED WORKING PRESSURE	CATALOG NUMBER	✓ SUBMITTED ITEM(S)
			DIA.	LGTH.	QTY.	A	T	L1	L2					
14"	13.69 - 14.04	12"	5/8"	8"	7	3/8"	1/4"	5"	7"	13-7/8"	107	175	FCA-1505-D12R	
	15.30 - 15.70	10"		8"	9	3/8"		5"	7"	13-7/8"	133	175	FCA-1570-D10R	
	15.30 - 15.70	12"		8"		5"		7"	13-7/8"	-	175	FCA-1570-D12R		
	15.30	14"		5"		n/a		10"	n/a	11-1/2"	108	150	FCA-1530-D14R	
	15.70	14"		5"		n/a		10"	n/a	11-1/2"	114	150	FCA-1570-D14R	
16"	16.00 - 16.35	14"	5/8"	8"	10	1/2"	1/4"	5"	7"	14-1/8"	166	150	FCA-1635-D14R	
	16.00	16"		5"		n/a		10"	n/a	11-1/2"	128	150	FCA-1600-D16R	
	17.40 - 17.80	12"		8"		1/2"		5"	7"	14-1/8"	152	175	FCA-1780-D12R	
	17.40	16"		5"		n/a		10"	n/a	11-1/2"	134	150	FCA-1740-D16R	
	17.80	16"		5"		n/a		10"	n/a	11-1/2"	135	150	FCA-1780-D16R	
18"	18.00	18"	5/8"	5"	11	n/a	1/4"	10"	n/a	11-5/8"	136	150	FCA-1800-D18R	
	19.50 - 20.00	14"		8"		5"		7"	14-1/4"	153	FCA-2000-D14R			
	19.50 - 20.00	16"		8"		5"		7"	14-1/4"	-	FCA-2000-D16R			
	19.50	18"		5"		n/a		10"	n/a	11-5/8"	140		FCA-1950-D18R	
	19.50 - 20.00	18"		8"		5/8"		5"	7"	14-3/8"	192		FCA-2000-D18R	
20"	20.00	20"	5/8"	5"	12	n/a	1/4"	10"	n/a	11-3/4"	160	150	FCA-2000-D20R	
	21.60 - 22.06	16"		8"		5"		7"	14-3/8"	200	FCA-2206-D16R			
	21.60 - 22.06	18"		8"		5"		7"	14-3/8"	-	FCA-2206-D18R			
	21.60	20"		5"		n/a		10"	n/a	11-3/4"	164		FCA-2160-D20R	
	22.06	20"		5"		n/a		10"	n/a	11-3/4"	169		FCA-2206-D20R	
	24.00	20"		*5"		7/8"		5"	7"	14-3/4"	-		FCA-2400-D20R	
24"	24.00	24"	5/8"	5"	14	n/a	1/4"	10"	n/a	11-7/8"	204	150	FCA-2400-D24R	
	25.80	20"		*5"		7/8"		5"	7"	14-3/4"	-		FCA-2580-D20R	
	25.80	24"		5"		n/a		10"	n/a	11-7/8"	209		FCA-2580-D24R	

Note: Flexible couplings do not restrain axial forces on piping.

* 24" reducing coupling sleeves employ weld-on bolt loops rather than connecting to center ring.

FEATURES

- Sleeve: Carbon Steel per ASTM A36
- Center Ring: Carbon Steel per ASTM A36
- End Ring: Ductile Iron per ASTM A536 or Carbon Steel per ASTM A36
- Bolts and Nuts: Low Alloy Steel per ASTM A242 or AWWA C111
- Flange: Class D AWWA C207
- Gasket: SBR Rubber per ASTM D2000
- Finish: Black Shop Coat

The Ford Meter Box Company considers the information in this submittal form to be correct at the time of publication. Item and option availability, including specifications, are subject to change without notice. Please verify that your product information is current.



The Ford Meter Box Company, Inc.
 P.O. Box 443, Wabash, Indiana U.S.A. 46992-0443
 Phone: 260-563-3171 / Fax: 800-826-3487
 Overseas Fax: 260-563-0167
<http://www.fordmeterbox.com>

05/29/12



36 Hudson Rd
 Sudbury MA 01776



800-225-4616
www.tisales.com