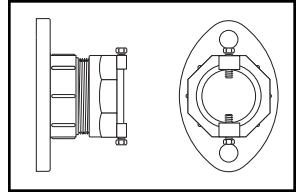
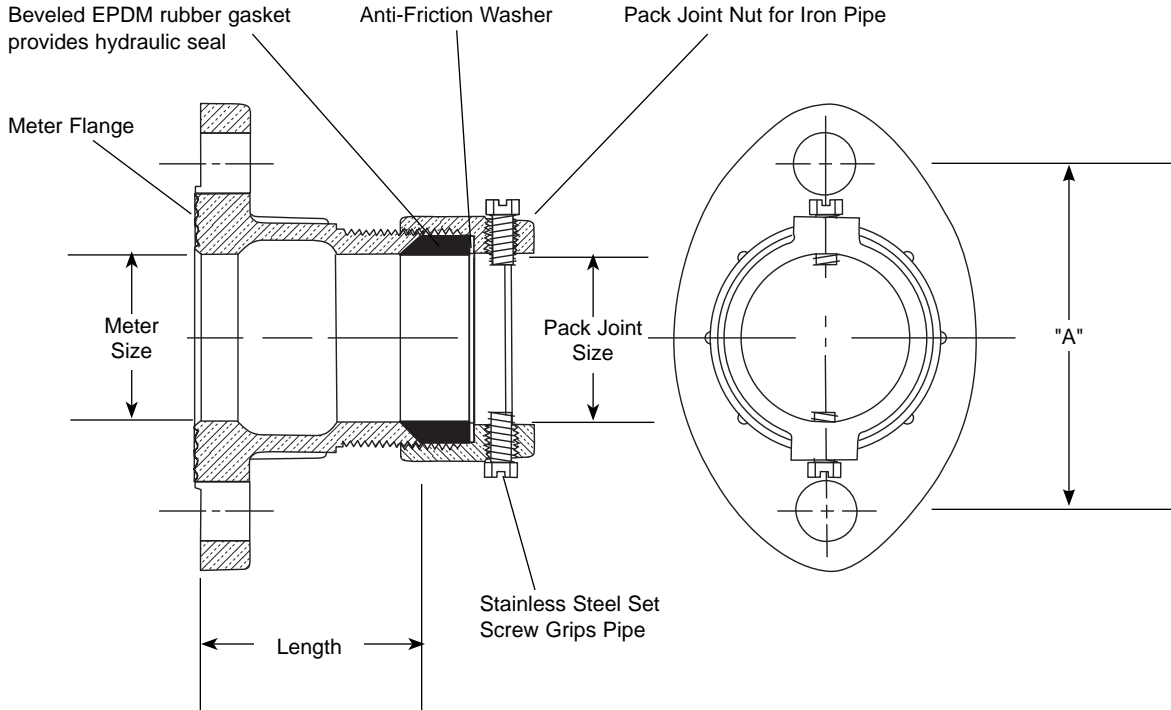


SUBMITTAL INFORMATION

Lok-Pak Meter Coupling - (CF35-xx-NL style)



METER FLANGE BY PACK JOINT FOR IRON PIPE



| DESCRIPTION | | LENGTH | APPROX. WT. LBS | BOLT HOLE DIA. | DIMENSION "A" | PART NUMBER | ✓ SUBMITTED ITEM(S) |
|--------------|--------------------|----------|-----------------|----------------|---------------|-------------|---------------------|
| METER FLANGE | P.J. FOR IRON PIPE | | | | | | |
| 1-1/2" | 1-1/2" | 2-9/16" | 3.6 | 23/32" | 4" | CF35-66-NL | |
| 2" | 2" | 2-13/16" | 5.0 | 13/16" | 4-1/2" | CF35-77-NL | |

FEATURES

- All brass that comes in contact with potable water conforms to AWWA Standard C800 (UNS NO C89833)
- The product has the letters "NL" cast into the main body for proper identification
- UL Classified to ANSI/NSF Standard 61 and Standard 61 Annex G (NSF/ANSI 372)
- Brass components that do not come in contact with potable water conform to AWWA Standard C800 (ASTM B-62 and ASTM B-584, UNS NO C83600 - 85-5-5-5)
- EPDM rubber drop-in meter gaskets are included with all 1-1/2" and 2" flange meter couplings
- Body design provides wrench lugs to facilitate installation

The Ford Meter Box Company considers the information in this submittal form to be correct at the time of publication. Item and option availability, including specifications, are subject to change without notice. Please verify that your product information is current.



The Ford Meter Box Company, Inc.

P.O. Box 443, Wabash, Indiana U.S.A. 46992-0443

Phone: 260-563-3171 / Fax: 800-826-3487

Overseas Fax: 260-563-0167

<http://www.fordmeterbox.com>

03/20/13

Ti SALES

36 Hudson Rd
Sudbury MA 01776



800-225-4616
www.tisales.com