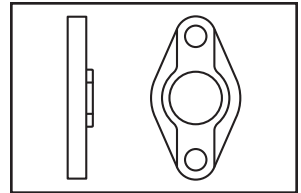
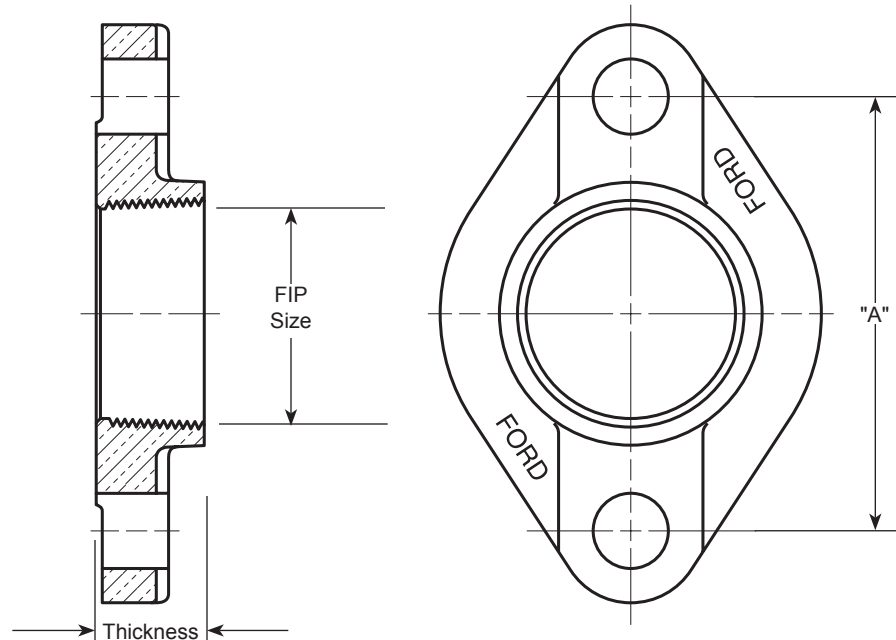


SUBMITTAL INFORMATION

Meter Flange - (CF31-xx-NL style)



METER FLANGE BY FEMALE IRON PIPE THREAD



DESCRIPTION	THICKNESS	APPROX. WT. LBS	PART NUMBER	BOLT HOLE DIAMETER	DIMENSION "A"	✓ SUBMITTED ITEM(S)
1-1/2" Meter Flange x 1-1/2" Female IP	1"	2.4	▼ CF31-66-NL	11/16"	4"	
1-1/2" Meter Flange x 2" Female IP Thread	1"	1.9	▼ CF31-67-NL	11/16"	4"	
2" Meter Flange x 2" Female IP Thread	1-1/8"	3.0	▼ CF31-77-NL	13/16"	4-1/2"	
2" Meter Flange x 2-1/2" Female IP Thread	1-1/8"	2.6	CF31-78-NL	13/16"	4-1/2"	

▼ Approved to ANSI/NSF Standard 61 2007a

FEATURES

- All brass that comes in contact with potable water conforms to AWWA Standard C800 (UNS NO C89833)
- Add "-NL" to end of catalog number for item to be approved to ANSI/NSF Standard 61 and Annex G (372). "NL" items will be made from UNS/CDA No. C89833 alloy.
- Brass components that do not come in contact with potable water conform to AWWA Standard C800 (ASTM B-62 and ASTM B-584, UNS NO C83600 - 85-5-5-5)
- Drop-in meter gaskets are included with all 1-1/2" and 2" meter flanges
- The product has the letters "NL" cast into the main body for proper identification
- Optional slotted bolt holes on 2" flanges to accommodate 1-1/2" meters. Add "-SLOTTED" to end of catalog number.

The Ford Meter Box Company considers the information in this submittal form to be correct at the time of publication. Item and option availability, including specifications, are subject to change without notice. Please verify that your product information is current.



The Ford Meter Box Company, Inc.

P.O. Box 443, Wabash, Indiana U.S.A. 46992-0443

Phone: 260-563-3171 / Fax: 800-826-3487

Overseas Fax: 260-563-0167

<http://www.fordmeterbox.com>

02/28/13



36 Hudson Rd
Sudbury MA 01776



800-225-4616
www.tisales.com