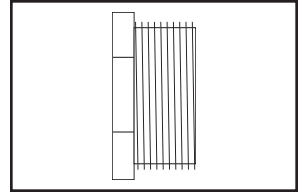
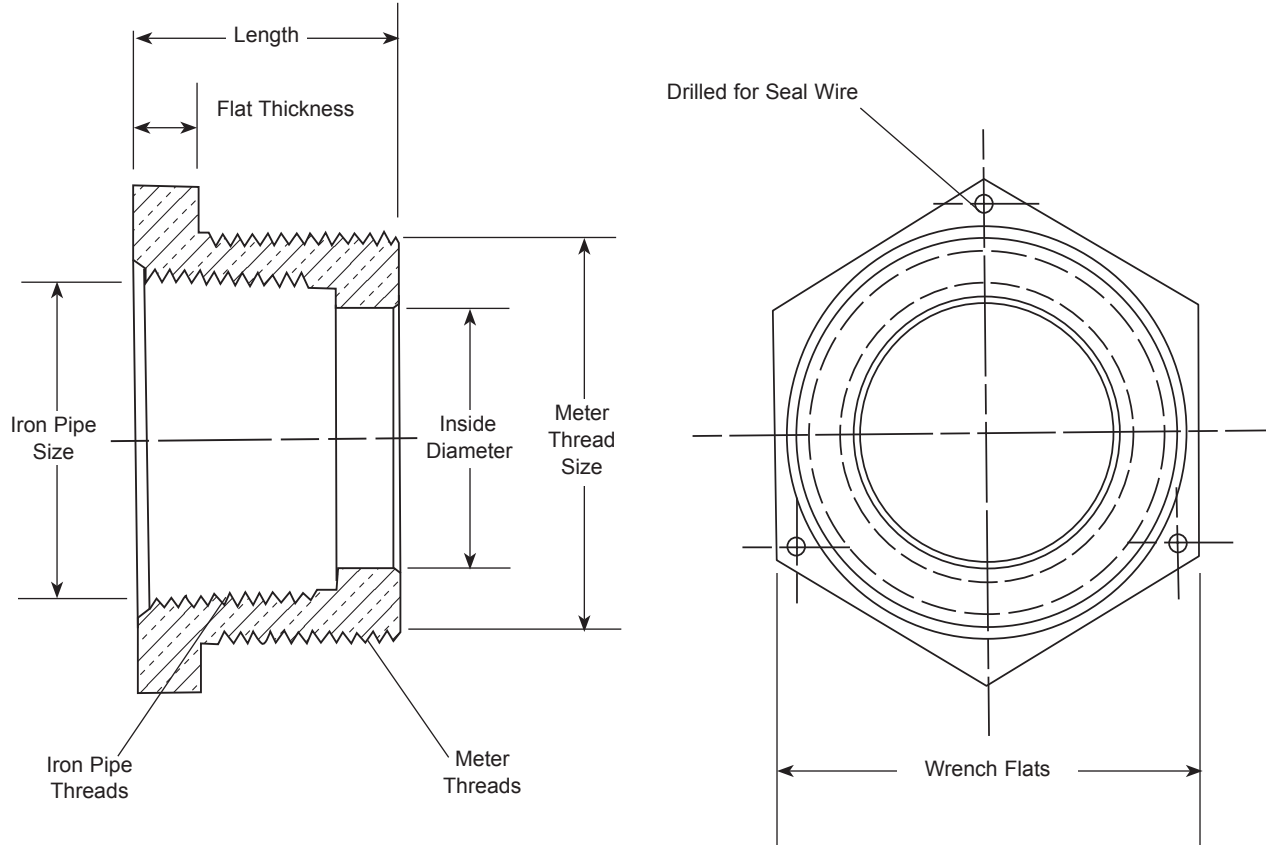


SUBMITTAL INFORMATION

Meter Coupling Bushing - (BBIM-xx-NL Style)



FEMALE IRON PIPE THREAD BY MALE METER THREAD



IRON PIPE SIZE	METER THREAD SIZE	LENGTH	ACROSS FLATS	WRENCH FLAT THICKNESS	INSIDE DIAMETER	APPROX. WT. LBS.	CATALOG NUMBER	✓ SUBMITTED ITEM(S)
3/4"	3/4"	1-3/16"	1-3/8"	1/4"	3/4"	0.3	BBIM-33-NL	
3/4"	1"	1-5/32"	1-3/4"	3/8"	1-5/32"	0.5	BBIM-34-NL	
1"	1"	1-1/8"	1-3/4"	5/16"	1-5/32"	0.4	BBIM-44-NL	
1-1/2"	1-1/2" Spud	1-9/16"	2-17/32"	3/8"	1-33/64"	1.0	BBIM-66-NL	
2"	2" Spud	1-3/4"	3-1/8"	13/32"	1-15/16"	1.4	BBIM-77-NL	

FEATURES

- All brass that comes in contact with potable water conforms to AWWA Standard C800 (UNS C89833)
- The product has the letters "NL" cast into the body for proper identification
- Approved to ANSI/NSF Standard 61 2007a
- Conforms to AWWA C700 for Meter Threads

The Ford Meter Box Company considers the information in this submittal form to be correct at the time of publication. Item and option availability, including specifications, are subject to change without notice. Please verify that your product information is current.



The Ford Meter Box Company, Inc.

P.O. Box 443, Wabash, Indiana U.S.A. 46992-0443

Phone: 260-563-3171 / Fax: 800-826-3487

Overseas Fax: 260-563-0167

<http://www.fordmeterbox.com>

02/28/13



36 Hudson Rd
Sudbury MA 01776



800-225-4616
www.tisales.com