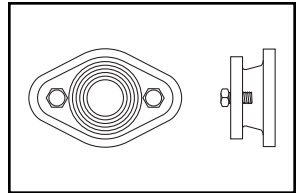
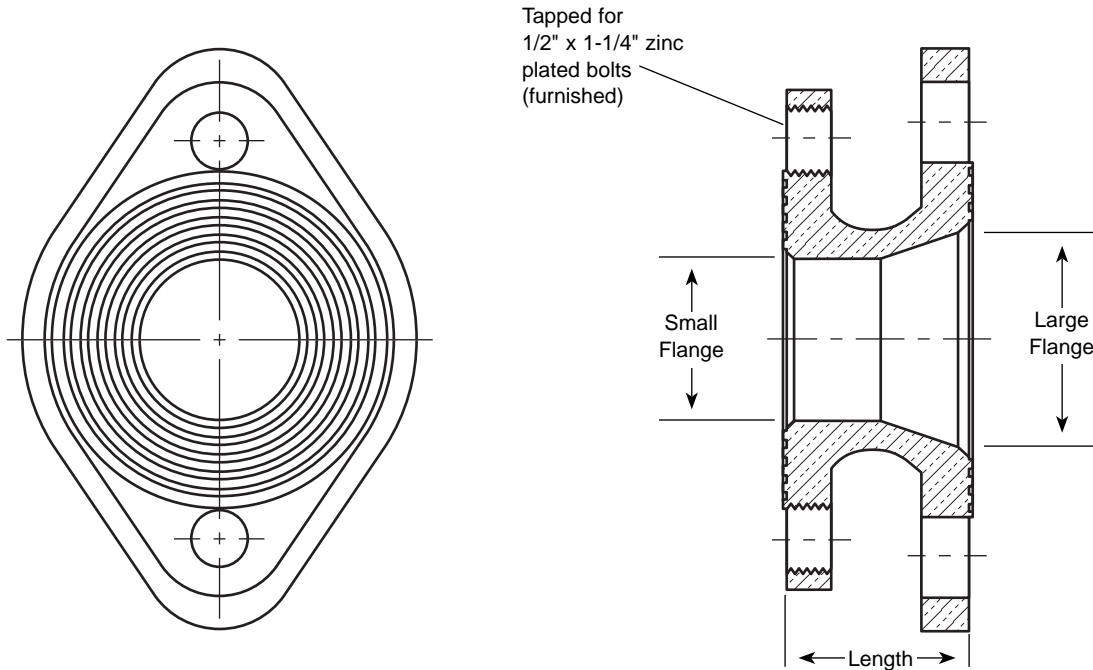


SUBMITTAL INFORMATION

Meter Adapter - (A67-NL Flange to Flange Style)



ADAPTER TO CHANGE METER SPUD SIZE AND LENGTH



DESCRIPTION		LENGTH	APPROX. WT. LBS.	PART NUMBER	✓ SUBMITTED ITEM(S)
SMALL FLANGE SIZE	LARGE FLANGE SIZE				
1-1/2"	2"	1-7/8"	9.0	A67-NL	



FEATURES

- All brass that comes in contact with potable water conforms to AWWA Standard C800 (UNS NO C89833)
- Brass components that do not come in contact with potable water conform to AWWA Standard C800 (ASTM B-62 and ASTM B-584, UNS NO C83600 - 85-5-5-5)
- 1-1/2" flange is tapped for two 1/2" x 1-1/4" zinc plated bolts, which are included
- Two 5/8" x 2" zinc-plated bolts and nuts are included for the 2" flange
- Flange Meter Adapters are sold and furnished in pairs
- UL Classified to ANSI/NSF Standard 61 and Annex G
- The product has the letters "NL" cast into the main body for proper identification

The Ford Meter Box Company considers the information in this submittal form to be correct at the time of publication. Item and option availability, including specifications, are subject to change without notice. Please verify that your product information is current.



The Ford Meter Box Company, Inc.

P.O. Box 443, Wabash, Indiana U.S.A. 46992-0443

Phone: 260-563-3171 / Fax: 800-826-3487

Overseas Fax: 260-563-0167

<http://www.fordmeterbox.com>

10/28/10



36 Hudson Rd
Sudbury MA 01776



800-225-4616
www.tisales.com