



**Scaleton™
Sets The Standard
In Corrosion
Resistance**

4-1/2 Digit Controller

- For use with Scaleton Ton Cylinder, Drum, Tank, Platform, and Spill Containment Scale bases
- Standard readability to 0.1 to 1000.0 lb. (kg) or 1 to 19999 lb. (kg)
- High accuracy of +/- 0.5% of full capacity
- Readout in pounds (lbs.) or kilograms (kg)
- Display is a one line, 5 character, numeric LED display
- Indicator can be locally or remote mounted up to 200 feet from base frame



Standard Features

- Electronic Controller Housed in NEMA 4X, UL Approved Enclosure
- Self-locking tare adjustment knob
- 4-20mA output – scale or loop powered
- Two (2) low level set points
- 6 Foot Power Cord

Description

The Scaleton 4-1/2 Digit Controller is included as standard with all of our Ton Cylinder Scale bases. It is available as an option on all of our Drum, Tank, Platform, and Spill Containment Scale bases. The indicator can be configured to read in tenths or whole units. The available units for display include pounds or kilograms. This controller is designed to monitor one channel, and will display net weight or gross weight on the one line, 5 character, numeric LED display. A 4-20mA output (scale or loop powered) is scalable to a user defined value, and is adjustable. Included as standard are two (2) low level REED relay contacts.

The user may apply the indicator to filling applications, as well as loading applications. The indicator provides excellent accuracy at +/- 0.5% of full capacity of full scale capacity.

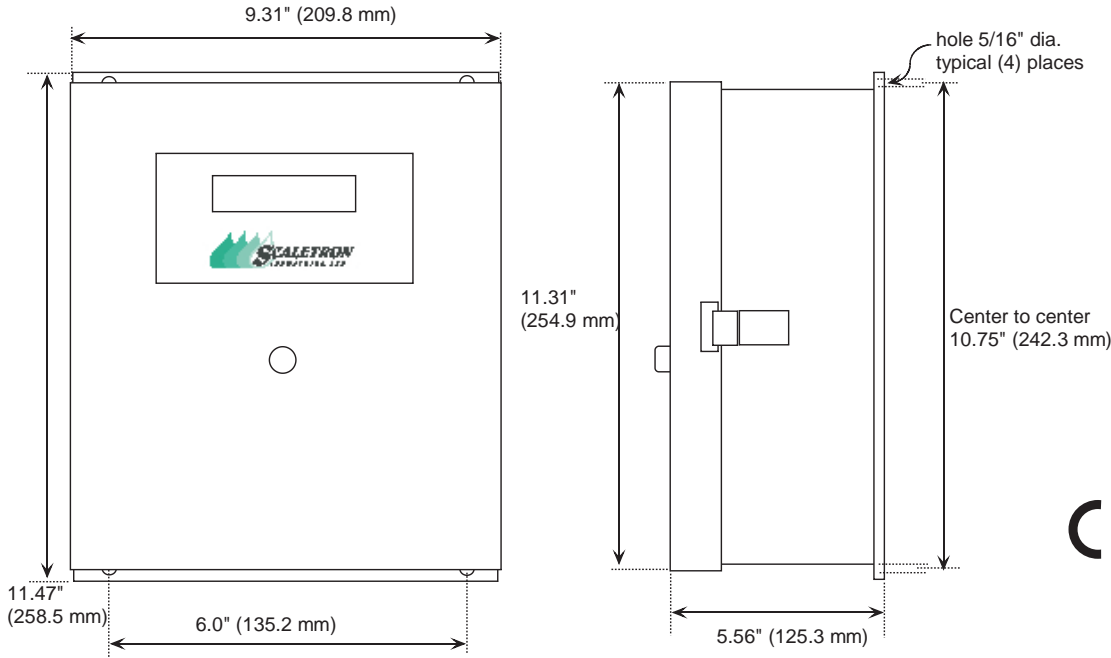
Scaleton Industries Ltd.

Bedminster Industrial Park
53 Apple Tree Lane • P.O. Box 365
Plumsteadville, PA 18949 • USA

Tel: (+1) 215-766-2670 (International)
Tel: (+1) 800-257-5911 (USA & Canada)
Fax: (+1) 215-766-2672

Email: info@scaletonscales.com
Website: www.scaletonscales.com

4-1/2 Digit Controller General Specifications



CE 5 year *FULL* warranty
on *ALL* products!

Indicator:	4-1/2 Digit Indicator
Features:	- Larger Capacity - Low Level Relays Standard
Included with Scale:	Standard on scale Model 3001-3006 and 3050, optional on ALL other scale models
Range/Resolution:	0 – 1000.0 in 0.1 lbs. (kg) increments 0 – 19999 in 1.0 lbs. (kg) increments
Accuracy:	+/- 0.5% of full capacity
Power:	120VAC, 50/60 Hz, 0.3A 240VAC, 50/60Hz, 0.15A
4-20mA:	Standard – scale or loop powered
Display:	LED
Level Indication/Relay Contacts:	Standard – Two (2) low level REED relay contacts
Display Units:	lbs. or kg



36 Hudson Rd
Sudbury MA 01776



800-225-4616
www.tisales.com

Typical Specifications

Indicator must be electronic with digital display with characters 0.56 inches high and housed in a NEMA 4X, UL approved enclosure. An output of 4-20 mA, 0-20 mA, or -8 to + 12 mA, selectable as scale or loop powered to provide versatility to interface with related equipment, must be standard equipment. Indicator comes with two low level relay contacts, standard. A knob to set tare weights is required. Indicator must be capable of 0.1 lb. or 0.1 kg up to 1000.0 lbs. or kg. or up to 19,999 in 1.0 lb. or 1.0 kg increments. Accuracy is 0.5% of full scale, or better.

Indicator shall be a 4-1/2 Digit as manufactured by Scaleton Industries Ltd., Plumsteadville, PA.