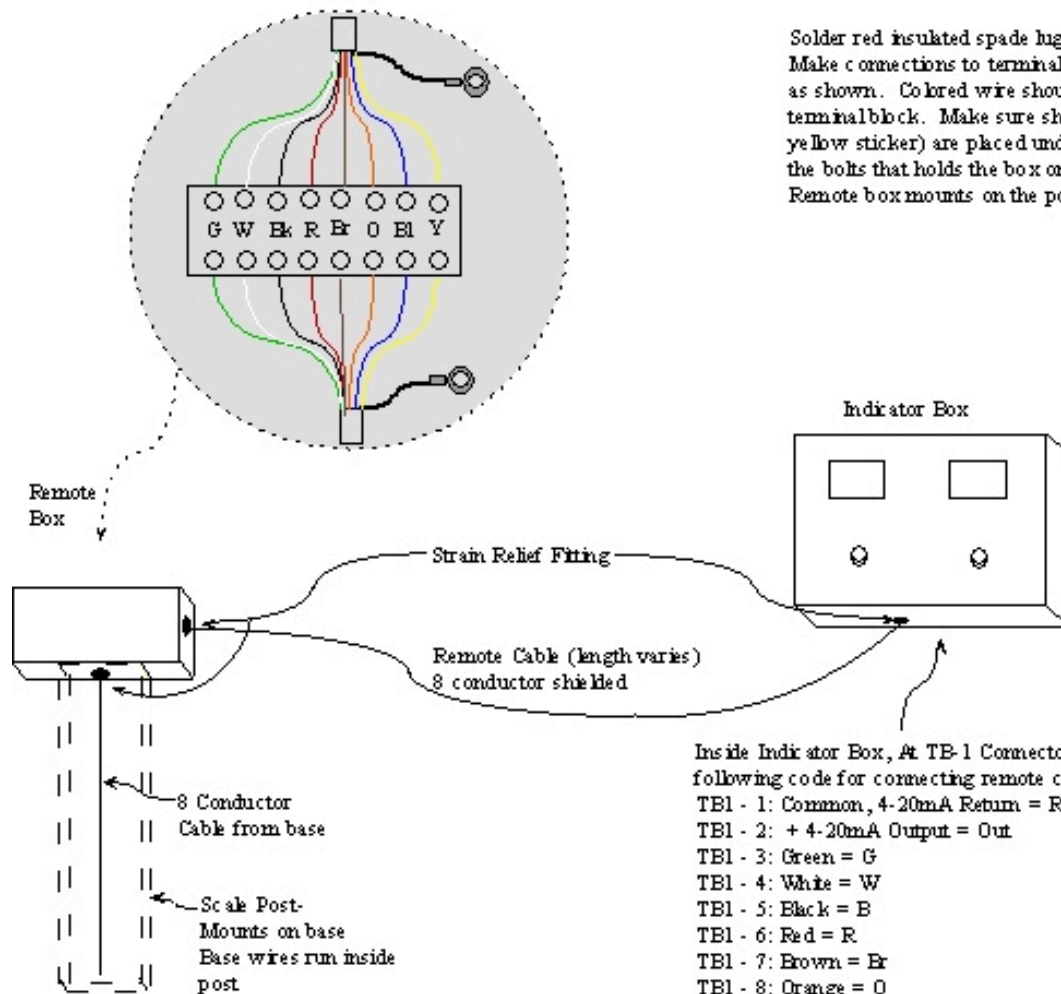




Model 2350™ Remote Indicator Mounting and Wiring Diagram



Solder red insulated spade hugs on each wire end. Make connections to terminal block in Remote Box as shown. Colored wire should match across the terminal block. Make sure shield wires (tagged with yellow sticker) are placed under the head of one of the bolts that holds the box on to the post. Remote box mounts on the post of the scale.

Inside Indicator Box, At TB-1 Connector, please use the following code for connecting remote cable wire to TB-1:

- TB1 - 1: Common, 4-20mA Return = Ret
- TB1 - 2: + 4-20mA Output = Out
- TB1 - 3: Green = G
- TB1 - 4: White = W
- TB1 - 5: Black = B
- TB1 - 6: Red = R
- TB1 - 7: Brown = Br
- TB1 - 8: Orange = O
- TB1 - 9: Blue = Bl
- TB1 - 10: Yellow = Y
- TB1 - 11: Common, 4-20mA Return = Ret
- TB1 - 12: +4-20mA Output = Out

Please see diagram for connecting 4-20mA circuit if it will be used!

