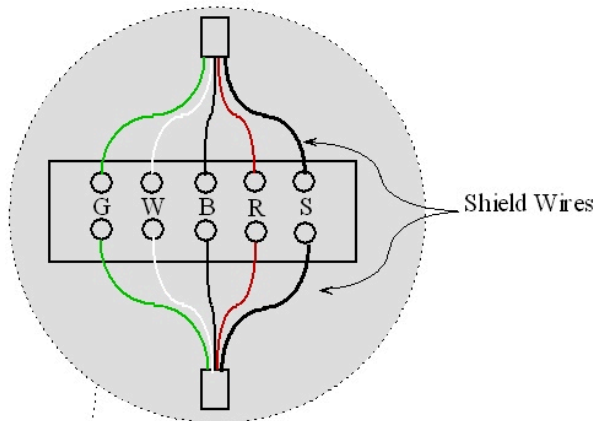


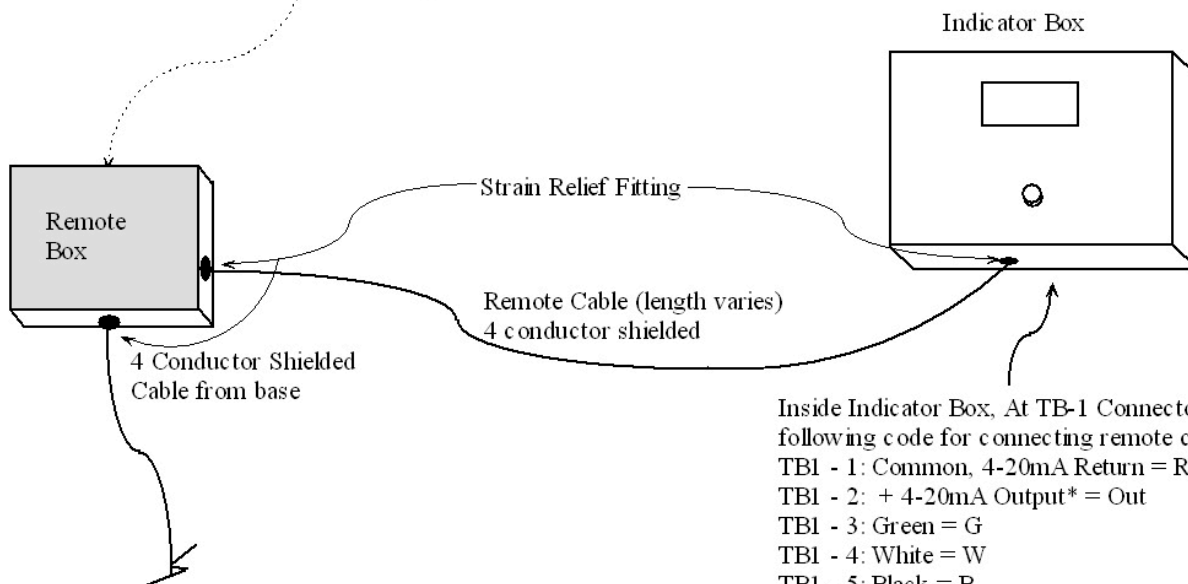


Model 2310™ Remote Indicator Mounting and Wiring Diagram



Solder red insulated spade lugs on each wire end. Make connections to terminal block in Remote Box as shown. Colored wire should match across the terminal block. Make sure shield wires (tagged with yellow sticker) are connected across from each other!

Remote box mounts near base on a wall



Inside Indicator Box, At TB-1 Connector, please use the following code for connecting remote cable wire to TB-1:
 TB1 - 1: Common, 4-20mA Return = Ret
 TB1 - 2: + 4-20mA Output* = Out
 TB1 - 3: Green = G
 TB1 - 4: White = W
 TB1 - 5: Black = B
 TB1 - 6: Red = R

