



Scaleton™
Sets The Standard
In Corrosion
Resistance

Model 2310™ Digital Single Cylinder Scale

- Designed for weighing 12" diameter cylinders (and smaller)
- Base size: 15-3/4"x17-1/2"
- Gross capacity range: 0-349 lbs. (158 kg)
- High accuracy of $\pm 0.5\%$ of capacity
- Standard indicator: 3-1/2 digit LCD display with easy readability to 1 lb. (kg) or 0.1 lb. (kg)
- Readout in pounds or kilograms
- Sturdy and accurate three point suspension on the weighing platform
- Patented



3-1/2 Digit Controller
(Standard)



Standard Features

- Rugged corrosion resistant solid PVC construction for use in harsh environments
- Low profile platform design increases safety and ease of cylinder handling
- Electronic indicator housed in NEMA 4X, UL approved enclosure to provide protection from acids
- Stainless steel load cell
- Self-locking tare adjustment knob
- 4-20 mA output signal – scale or loop powered
- 12 ft. of 4 conductor wire cable
- Cylinder support and chains

Options

- Low level relay contacts
- Model 1099™ Chemical Process Controller
- Remote mounting of indicator box up to 200 feet (61 meters) away
- Junction box
- Additional length of 4 conductor wire cable

Chemicals

Scale is designed to accurately measure weight of alum, ammonia, caustic, fluoride, phosphate, polymers, sodium aluminate, sodium bisulfate, sodium hydroxide, sodium hypochlorite and other liquids or powders

Scaleton Industries Ltd.

Bedminster Industrial Park
53 Apple Tree Lane • P.O. Box 365
Plumsteadville, PA 18949 • USA

Tel: (+1) 215-766-2670 (International)
Tel: (+1) 800-257-5911 (USA & Canada)
Fax: (+1) 215-766-2672

Email: info@scaletonscales.com
Website: www.scaletonscales.com

Model 2310™ Digital Single Cylinder Scale General Specifications



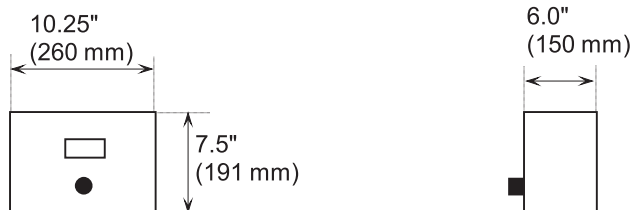
36 Hudson Rd
Sudbury MA 01776



800-225-4616
www.tisales.com

CE 5 year **FULL** warranty
on **ALL** products!

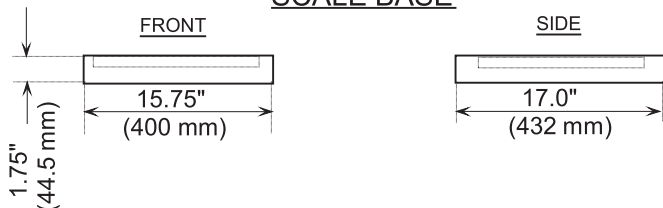
INDICATOR BOX



CYLINDER SUPPORT BAR

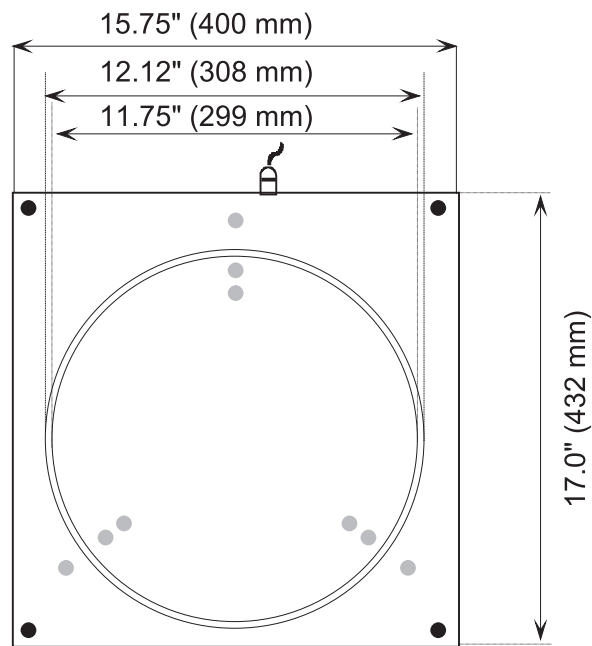


SCALE BASE



SCALE BASE - TOP VIEW

(enlarged for detail)



BOLT DOWN HOLES ~ TYPICAL (4) PLACES
CLEARANCE FOR 3/8" BOLT

Indicator:	3-1/2 Digit
Platform Size:	15-3/4 " (400 mm) wide x 17-1/2" (444 mm) deep
Platform Height:	1-3/4" (44.5 mm)
Gross Capacity:	Up to 349 lbs. (158 kg)
Accuracy:	±0.5% of full capacity
Resolution:	0.1 lb. (kg) up to 199.9 lbs. (kg)
4-20 mA:	Standard – scale or loop powered
Level Indication/ Relay Contacts:	Optional low level REED relay contact(s)
Power:	85 VAC to 265 VAC, 50/60 Hz
Enclosure:	NEMA 4X, UL Approved Enclosure
Shipping Weight:	22 lbs.

Typical Specifications

Scale must weigh 150 lb. cylinder. The accuracy must be at least 0.5%. Digital readout must be an LCD Display with characters that are 0.5 inches high, with 0.1 lb. or 0.1 kg resolution. Indicator is required to have 4-20 mA output selectable as scale powered or loop powered, standard. Indicator must have a knob to set tare weight. The electronics must be housed in a NEMA 4X, UL approved enclosure. All base hardware must be stainless steel. The cross bar shall be coated with dry powder polyester plastic. The entire base must be PVC to prevent corrosion.

Scale shall be a Model 2310™ as manufactured by Scaleton Industries Ltd., Plumsteadville, PA.