



**Scaleton™
Sets The Standard
In Corrosion Resistance**

Model 2308CS™ Digital Single Cylinder Cart Scale

- Designed for weighing 9" diameter cylinders (and smaller)
- Portable hand cart with weighing platform and digital LCD display
- Scale Base size: 9"x9"x1"
- Gross capacity range: 0-349 lbs. (158 kg)
- High accuracy of $\pm 0.5\%$ of capacity
- Standard indicator: 3-1/2 digit LCD display with easy readability to 1 lb. (kg) or 0.1 lb. (kg)
- Readout in pounds or kilograms
- Sturdy and accurate four point suspension on the weighing platform



3-1/2 Digit Controller



Standard Features

- Rugged corrosion resistant stainless steel construction for use in harsh environments
- Low profile platform design increases safety and ease of cylinder handling - scale base is only 1" high
- Electronic indicator housed in NEMA 4X, UL approved enclosure to provide protection from chemicals
- Hand cart (truck) with powder coated steel construction and 10" solid tires
- Temperature compensated load cells
- Self-locking tare adjustment knob
- 4-20 mA output signal – scale or loop powered

Options

- Battery operated version with rechargeable battery pack
- Low level relay contacts

Chemicals

Scale is designed to accurately measure weight of: ammonia, carbon dioxide, hydrogen chloride, liquefied chlorine, sulfur dioxide and other liquid gases.

Scaleton Industries Ltd.

Bedminster Industrial Park
53 Apple Tree Lane • P.O. Box 365
Plumsteadville, PA 18949 • USA

Tel: (+1) 215-766-2670 (International)
Tel: (+1) 800-257-5911 (USA & Canada)
Fax: (+1) 215-766-2672

Email: info@scaletonscales.com
Website: www.scaletonscales.com

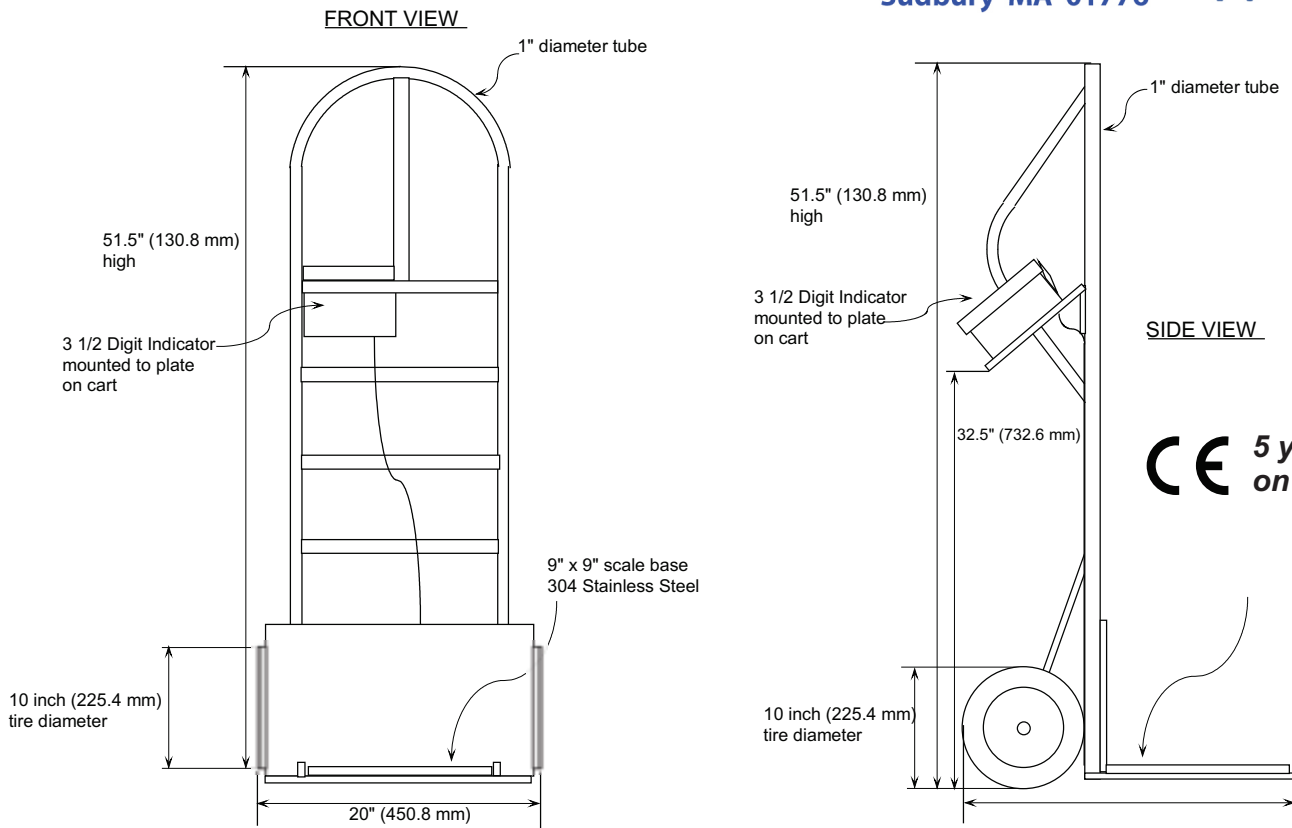
Model 2308CS™ Digital Single Cylinder Cart Scale



36 Hudson Rd
Sudbury MA 01776



800-225-4616
www.tisales.com



CE 5 year *FULL* warranty
on *ALL* products!

Indicator:	3-1/2 Digit
Platform Size:	9" (228.6 mm) wide x 9" (228.6 mm) deep
Platform Height:	1.0" (25.4 mm)
Gross Capacity:	Up to 349 lbs. (158 kg)
Accuracy:	±0.5% of full capacity
Resolution:	0.1 lb. (kg) up to 199.9 lbs. (kg)
4-20 mA:	Standard – scale or loop powered
Level Indication/ Relay Contacts:	Optional low level REED relay contact(s)
Power:	85 VAC to 265 VAC, 50/60 Hz
Enclosure:	NEMA 4X, UL Approved Enclosure
Shipping Weight:	?? lbs.

Typical Specifications

The Cylinder Cart Scale must be fully portable with the scale and the cart integrated into one unit for safe transport between weighing areas. The scale base should be stabilized on the cart bottom with support angles, and the indicator bolted to the back of the cart for easy viewing of weight readings. The scale base must be constructed of all heavy gauge stainless steel. All hardware shall be stainless steel to prevent corrosion. The profile shall not exceed 1.0 inches (25.4 mm) so as not to require a pit or ramp. The load cell must be IP65 approved. Base must be fully electronic with no mechanical lever system to corrode. A rechargeable battery backup system shall be provided as an option. The hand cart must be powder coated steel construction with 10" solid tires for ease of movement.

Scale shall be a Model 2308CS™ as manufactured by Scaleton Industries Ltd., Plumsteadville, PA.

STANDARD INDICATOR:

3-1/2 Digit LCD Indicator: Indicator must be electronic with digital display with characters 0.5 inches high, with 0.1 lb. or 0.1 kg resolution and housed in a NEMA 4X, UL approved enclosure. Indicator is required to have 4-20 mA output selectable as scale powered or loop powered, standard. Indicator must have a knob to set tare weight. Accuracy is 0.5% of full scale, or better.