



Scaletron™
Sets The Standard
In Corrosion Resistance

Model 2308™ Gas Cabinet Scale

- Designed for weighing 9" diameter cylinders (and smaller) in gas feeding applications
- Independent weighing platform with digital liquid crystal display
- Base size: 9"x9", 12"x12"
- Gross capacity range: 0-349 lbs. (158 kg)
- High accuracy of $\pm 0.5\%$ of capacity
- Standard indicator: 3-1/2 digit LCD display with easy readability to 1 lb. (kg) or 0.1 lb. (kg)
- Readout in pounds or kilograms
- Sturdy and accurate four point suspension on the weighing platform



3-1/2 Digit Controller

Standard Features

- Rugged corrosion resistant stainless steel construction for use in harsh environments
- Low profile platform design increases safety and ease of cylinder handling - scale is only 1" high
- Electronic indicator housed in NEMA 4X, UL approved enclosure to provide protection from chemicals
- Temperature compensated load cells
- Self-locking tare adjustment knob
- 4-20 mA output signal – scale or loop powered
- 12 ft. of 4 conductor wire cable

Options

- Low level relay contacts
- Remote mounting of indicator box up to 200 feet (61 meters) away
- Junction box
- Additional length of wire cable

Chemicals

Scale is designed to accurately measure weight of ammonia, carbon dioxide, hydrogen chloride, liquefied chlorine, sulfur dioxide and other liquid gases.

Scaletron Industries Ltd.

Bedminster Industrial Park
53 Apple Tree Lane • P.O. Box 365
Plumsteadville, PA 18949 • USA

Tel: (+1) 215-766-2670 (International)
Tel: (+1) 800-257-5911 (USA & Canada)
Fax: (+1) 215-766-2672

Email: info@scaletronscales.com
Website: www.scaletronscales.com

Model 2308™ Gas Cabinet Scale General Specifications



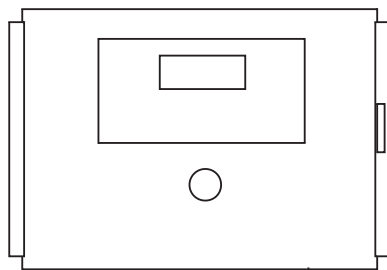
36 Hudson Rd
Sudbury MA 01776



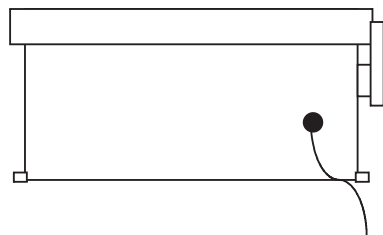
800-225-4616
www.tisales.com

CE 5 year **FULL** warranty
on **ALL** products!

3 1/2 Digit Indicator - Front View

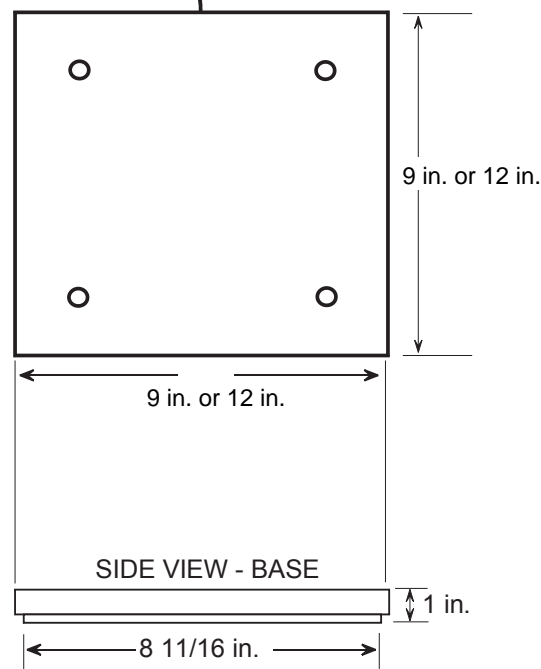


Side View



12 foot 4 Conductor
Shielded Cable, PVC
jacketed, Sealed with
Strain Relief at Base
and at Indicator

TOP VIEW - BASE



Indicator:	3-1/2 Digit
Platform Size:	9" x 9" (228.6 mm x 228.6 mm), 12" x 12" (304.8 mm x 304.8 mm)
Platform Height:	1.0" (25.4 mm)
Gross Capacity:	Up to 349 lbs. (158 kg)
Accuracy:	±0.5% of full capacity
Resolution:	0.1 lb. (kg) up to 199.9 lbs. (kg)
4-20 mA:	Standard – scale or loop powered
Level Indication/ Relay Contacts:	Optional low level REED relay contact(s)
Power:	85 VAC to 265 VAC, 50/60 Hz
Enclosure:	NEMA 4X, UL Approved Enclosure
Shipping Weight:	9" x 9" = 14 lbs., 12" x 12" = 25 lbs.

Typical Specifications

The Gas Cabinet Scale must be constructed of all heavy gauge stainless steel. All hardware shall be stainless steel to prevent corrosion. The profile shall not exceed 1.0 inches (25.4 mm) so as not to require a pit or ramp. The load cell must be IP65 approved. Base must be fully electronic with no mechanical lever system to corrode.

Scale shall be a Model 2308™ as manufactured by Scaleton Industries Ltd., Plumsteadville, PA.

STANDARD INDICATOR:

3-1/2 Digit LCD Indicator: Indicator must be electronic with digital display with characters 0.5 inches high, with 0.1 lb. or 0.1 kg resolution and housed in a NEMA 4X, UL approved enclosure. Indicator is required to have 4-20 mA output selectable as scale powered or loop powered, standard. Indicator must have a knob to set tare weight. Accuracy is 0.5% of full scale, or better.