



**Scaleton™  
Sets The Standard  
In Corrosion  
Resistance**

## Model 1020™ 5 Digit LCD Controller

- Controller available as single (Model 1020-1™) or dual channel (Model 1020-2™)
- Each channel has 4-20mA standard
- Four HI or LO level set points optional
- Indicator displays Net Weight and Gross Weight
- Standard readability to 0.1's, 1.0's, or with fixed zero for high capacity, 10's.
- High accuracy of  $\pm 0.1\%$  to  $0.25\%$
- Readout in pounds, kilograms, gallons, or liters
- Display is a two line, 16 Character, alphanumeric backlit display
- Indicator can be locally or remote mounted up to 200 feet from base frame
- Tare weight is pushbutton adjustable per channel
- 4-20mA output is loop powered
- For use on Scaleton Drum, Tank, Platform, and Ton Cylinder Scale frames



### Standard Features

- Electronic Controller Housed in NEMA 4X, UL Approved Enclosure
- One Channel, one 4-20mA Output (Loop Powered 18-30VDC) Model 1020-1
- Nominal Power Ratings; 120/240 VAC, 50/60 Hz, 0.10/0.05A
- 6 Foot Power Cord

### Description

The Model 1020™ Controller is an addition to our line of high value indicators designed to compliment the drum, tank, platform, and ton cylinder scales. The 5 digit indicator can be configured to read in tenth, whole, or tens units. The available units for display include pounds, kilograms, gallons, or liters. This controller can be configured to monitor one or two channels, and will display those active channels simultaneously on the backlit, 2 line, 16 character, alphanumeric display. A 4-20mA output for one or two channels is scalable to a user defined value, and is adjustable. There is also the option of adding up to four set points, which are programmable as high, or low level alarms with relay contacts. These set points are value selectable as well. The alarms can also be deactivated in the field.

The Model 1020™ Controller may be used with the drum, tank, platform, or ton cylinder bases as manufactured by Scaleton Industries Ltd. The user may combine different base designs on different channels of the same controller, regardless of the number of load cells in the base design. The user may apply the controller to filling applications, as well as loading applications. The controller provides excellent accuracy at 0.1% to 0.25% of full scale capacity. This controller has a simple three button panel with menu prompts. The display will provide values for Net Weight, as well as Gross Weight. The Tare Weight screen will allow the user to select the proper value for Net Weight.

Controller has factory calibration restore feature so indicator calibration can be completed in field with no test weights.



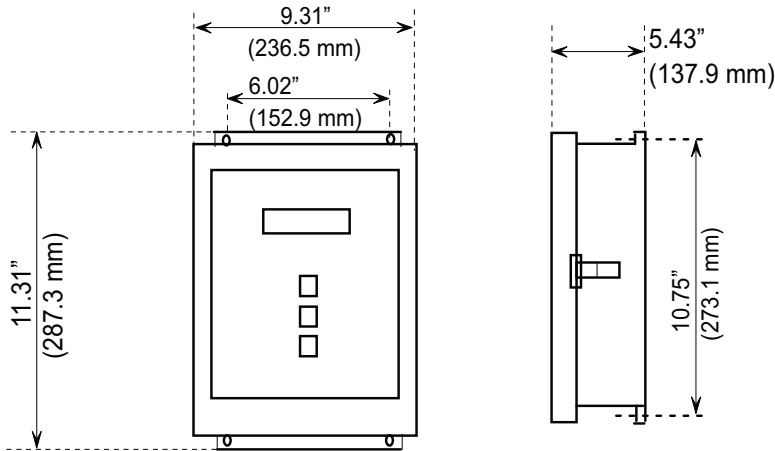
### Scaleton Industries Ltd.

Bedminster Industrial Park  
53 Apple Tree Lane • P.O. Box 365  
Plumsteadville, PA 18949 • USA

Tel: (+1) 215-766-2670 (International)  
Tel: (+1) 800-257-5911 (USA & Canada)  
Fax: (+1) 215-766-2672

Email: [info@scaletonscales.com](mailto:info@scaletonscales.com)  
Website: [www.scaletonscales.com](http://www.scaletonscales.com)

INDICATOR DIMENSIONS:



## Model 1020™ 5 Digit LCD Controller General Specifications



5 year *FULL* warranty  
on *ALL* products!

<b>Indicator:</b>	<b>5 Digit Controller Model 1020-1™ or 1020-2™</b>
<b>Power:</b>	Nominal Power Ratings; 120/240 VAC, 50/60 Hz, 0.10/0.05A
<b>Keypad:</b>	Three Button
<b>Resolution:</b>	0.1 to 9999.9 1 to 99999 10 to 999990
<b>Display:</b>	2 Line x 16 Character, Alphanumeric, backlit
<b>4-20 mA:</b>	Standard—set to net weight (loop powered 18-30VDC supply required)
<b>Set Points:</b>	Up to 4 available Selectable as Hi or Lo Relay Contact Rating: 5A @ 30VDC (resistive load), 5A @250 VAC (general use) Coil Rating: 3—24VDC Form: SPST-NO or SPST-NC
<b>Enclosure:</b>	NEMA 4X, UL Approved Enclosure
<b>Shipping Weight:</b>	10 lbs.

### Options

- Second Channels with 4-20mA output (loop powered 18-30VDC) Model 1020-2
- Two 4-20 mA Outputs
- Up to 4 HI or LO Set Points with Relays
- Remote Mounting with up to 200 ft. additional length of 4 Conductor Wire Cable

### Typical Specifications

Model 1020™, 5 Digit LCD Controller must be electronic with a two line, backlit, alphanumeric digital display, housed in a NEMA 4x, UL approved enclosure. Available as single or dual channel and capable of displaying two channels simultaneously. A loop powered, programmable output of 4-20mA and 4 HI or LO set points available. Indicator must be capable of 0.1 lb, kg, gal., or ltr. Accuracy is 0.1% of full scale capacity. Indicator can be calibrated in the field with no test weights. Indicator must be CSA certified.

Indicator will be the 5 Digit Controller Model 1020™ as manufactured by Scaleton Industries Ltd., Plumsteadville, PA.



36 Hudson Rd  
Sudbury MA 01776



800-225-4616  
www.tisales.com