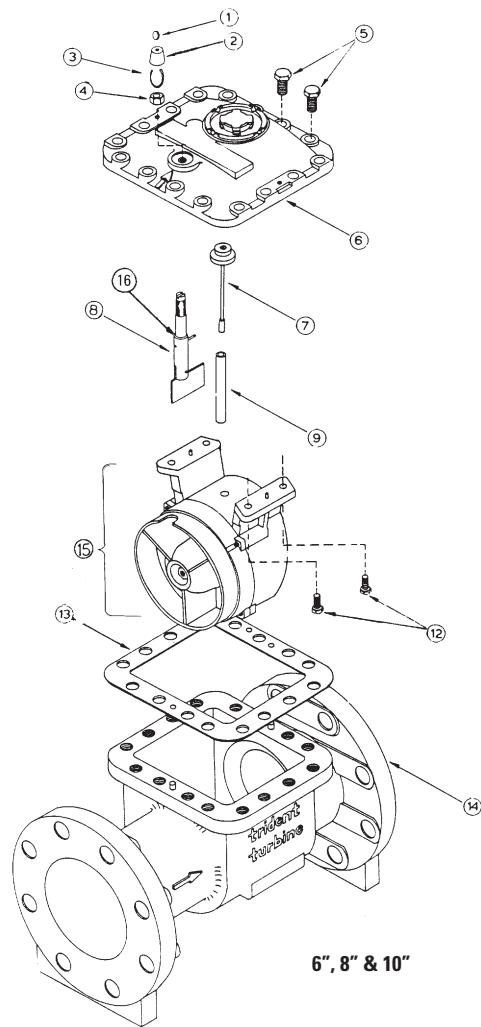
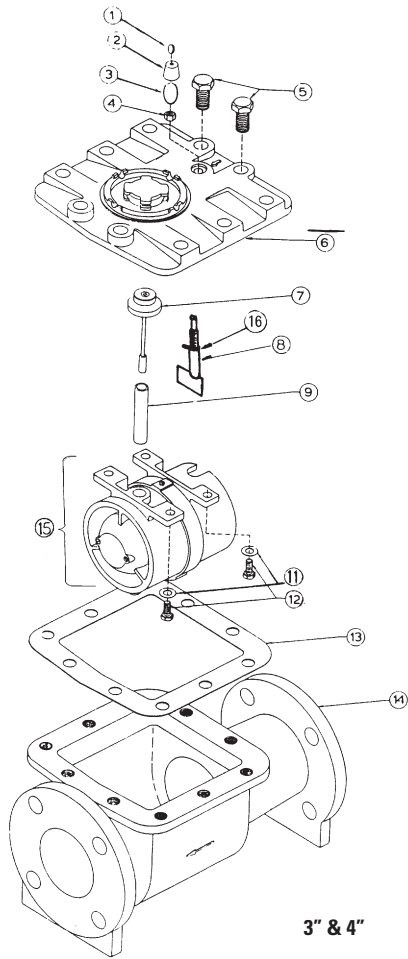
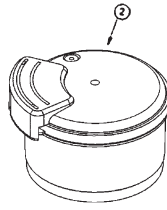
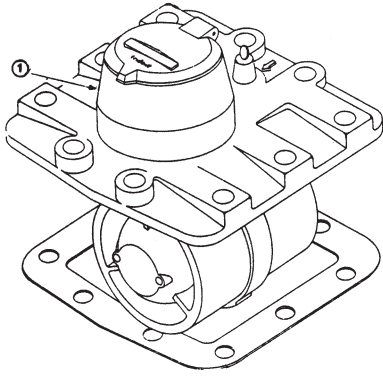


ITEM NO.	DESCRIPTION	METER SIZE AND PART NUMBERS (1)				
		3"	4"	6"	8"	10"
1 & 3	16" Seal Wire with Seal	41110-501	41110-501	41110-501	41110-501	41110-501
2	Seal Cap	11098-001	11098-001	11098-001	11098-001	11098-001
4	Calibration Nut	8545-417	8545-417	8545-417	8545-417	8545-417
5	Maincase Bolts (Qty)	8329-405 (10)	8329-405 (10)	8329-421 (16)	8329-402 (16)	8329-402 (16)
6	Cover	N/A	N/A	N/A	N/A	N/A
7	Drive Spindle Assembly	9485-001	9485-002	9485-003	9485-004	9485-013
8	Calibration Vane Assembly	11097-200	11097-300	11097-400	11097-500	11097-900
9	Drive Sleeve	9484-006	9484-007	9484-003	9484-004	9484-014
11	Washers (Qty)	8568-012 (4)	8568-012 (4)	N/A	N/A	N/A
12	Bolts (Qty)	8329-007 (4)	8329-007 (4)	8329-206 (4)	8329-422 (4)	8329-427 (4)
13	Maincase Gasket	8341-316	8341-316	8341-203	8341-205	8341-205
14	Maincase	N/A	N/A	N/A	N/A	N/A
15	Measuring Chamber Assembly	9439-001SP00	9439-002SP00	9439-105SP00	N/A	N/A
16	O-Ring	8316-022	8316-022	8316-022	8316-022	8316-022

Note: Vent Screw (8394-003) and Washer (2252-000) available for meters so equipped.

(1): This product line (except 3") was discontinued for sale in 1990, therefore all 4" through 10" Trident Turbine parts are subject to availability, and may be discontinued at any time.





(UME includes: Register, Gasket, Cover, and Turbine Rotor Assembly)

SIZE	REGISTRATION	'DIRECT READ		'ARB 4-WHEEL ENCODER*		'ARB 6-WHEEL ENCODER*		'PROREAD™ (ARB VI) 4-WHEEL ENCODER*		'PROREAD™ (ARB VI) 6-WHEEL ENCODER	
		REGISTER	UME	REGISTER	UME	REGISTER	UME	REGISTER	UME	REGISTER	UME
2"	Cu. Ft.	R83F1	N/A	R53F11	N/A	R53F12	N/A	R63F11	N/A	R63F12	N/A
	Gal.	R83G1	N/A	R53G11	N/A	R53G12	N/A	R63G11	N/A	R63G12	N/A
	M ³	R83M1	N/A	R53M11	N/A	R53M12	N/A	R63M11	N/A	R63M12	N/A
3"	Cu. Ft.	R83F2	9600-100	R53F21	9600-150	R53F22	9600-152	R63F21	9600-118	R63F22	9600-119
	Gal.	R83G2	9600-200	R53G21	9600-250	R53G22	9600-252	R63G21	9600-128	R63G22	9600-129
	M ³	R83M2	9600-500	R53M21	9600-550	R53M22	9600-552	R63M21	9600-148	R63M22	9600-149
4"	Cu. Ft.	R83F3	N/A	R53F31	N/A	R53F32	N/A	R63F31	N/A	R63F32	N/A
	Gal.	R83G3	N/A	R53G31	N/A	R53G32	N/A	R63G31	N/A	R63G32	N/A
	M ³	R83M3	N/A	R53M31	N/A	R53M32	N/A	R63M31	N/A	R63M32	N/A
6"	Cu. Ft.	R83F4	N/A	R53F41	N/A	R53F42	N/A	R63F41	N/A	R63F42	N/A
	Gal.	R83G4	N/A	R53G41	N/A	R53G42	N/A	R63G41	N/A	R63G42	N/A
	M ³	R83M4	N/A	R53M41	N/A	R53M42	N/A	R63M41	N/A	R63M42	N/A
8"	Cu. Ft.	R83F5	N/A	R53F51	N/A	R53F52	N/A	R63F51	N/A	R63F52	N/A
	Gal.	R83G5	N/A	R53G51	N/A	R53G52	N/A	R63G51	N/A	R63G52	N/A
	M ³	R83M5	N/A	R53M51	N/A	R53M52	N/A	R63M51	N/A	R63M52	N/A
10"	Cu. Ft.	R83F6	N/A	R53F61	N/A	R53F62	N/A	R63F61	N/A	R63F62	N/A
	Gal.	R83G6	N/A	R53G61	N/A	R53G62	N/A	R63G61	N/A	R63G62	N/A
	M ³	R83M6	N/A	R53M61	N/A	R53M62	N/A	R63M61	N/A	R63M62	N/A

*Registers do not include ARB® remote or Pulser remote odometers.

NOTE: When ordering registers, please include change gear combination or four-digit register code from dial face.

Neptune engages in ongoing research and development to improve and enhance its products. Therefore, Neptune reserves the right to change product or system specifications without notice.

Neptune Technology Group Inc.
 1600 Alabama Highway 229
 Tallahassee, AL 36078
 USA
 Tel: (800) 645-1892
 Fax: (334) 283-7299

Neptune Technology Group (Canada) Ltd.
 7275 West Credit Avenue
 Mississauga, Ontario
 L5N 5M9
 Canada
 Tel: (905) 858-4211
 Fax: (905) 858-0428

Neptune Technology Group Inc.
 Ejército Nacional No. 418
 Piso 12, Desp. 1201-1202
 Col. Chapultepec Morales
 Delegación Miguel Hidalgo
 11570 México, Distrito Federal
 Tel: (525) 55203 5294 / (525) 55203 5708
 Fax: (525) 55203 6503

